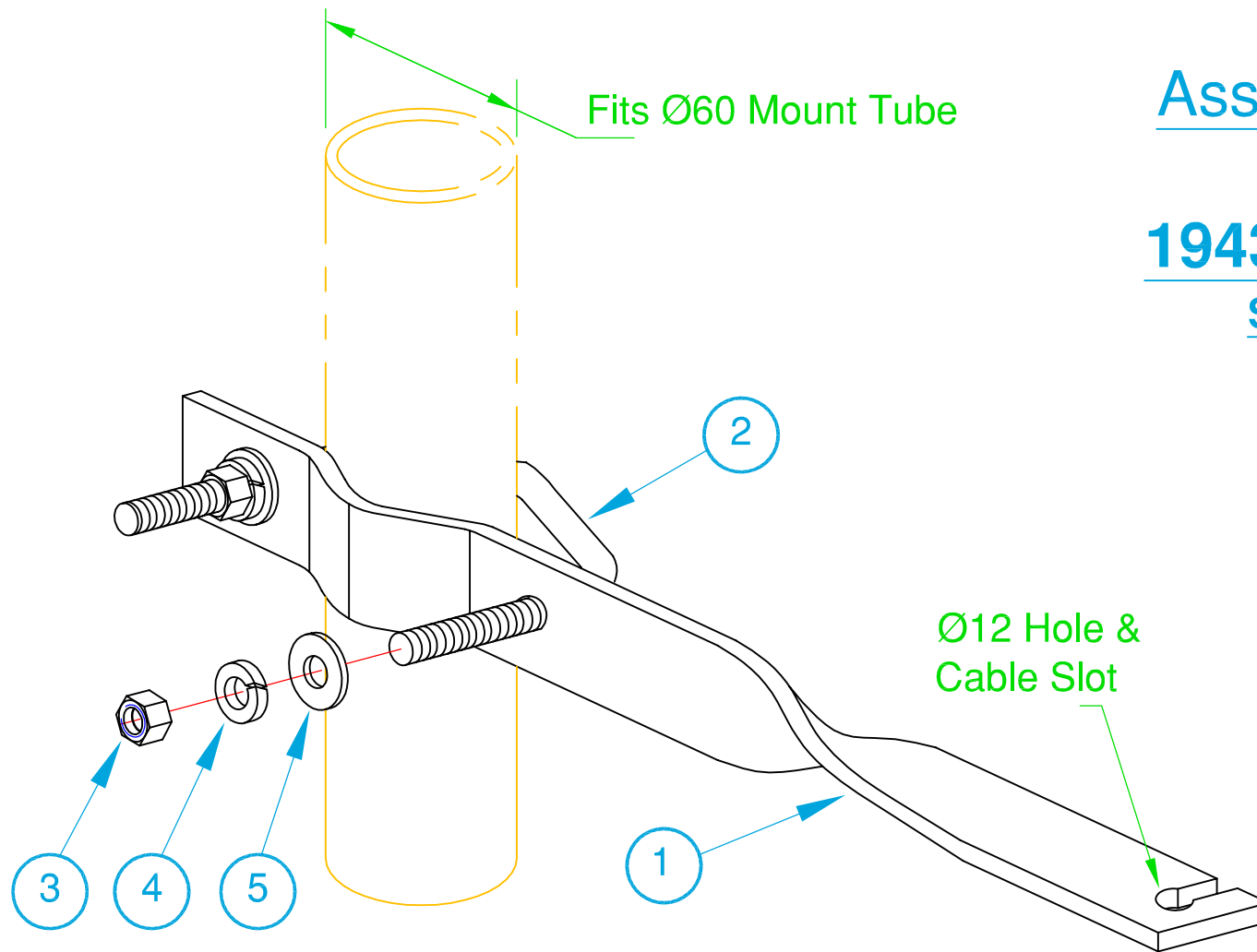


Assembly Sketch

1943 CLAMP KIT

Stainless Steel



PARTS SUPPLIED:

5	Washer, Flat, M8, Stainless Steel	2
4	Washer, Spring, M8, Stainless Steel	2
3	Nut, Hex, M8, Stainless Steel Gr. 316	2
2	U-Bolt, M8 x 65 Gap x 95, Stainless Steel	1
1	Clamp Arm, Stainless Steel	1
Item	Description	Quantity.

G-Tech Communication Services Pty. Ltd. Trading as :

ZCG SCALAR[®]

DESIGNERS AND MANUFACTURERS OF RADIO FREQUENCY ANTENNAS

Hall Street, Lindenow, Victoria, Australia,
Tel: (03) 5157 1203 Fax: (03) 5157 1641



Copyright - **G-Tech** Communication Services Pty. Ltd. No part of this Drawing is to be reproduced without Written Authority

1943-B.dwg LM 21-10-10

Approved: RG 21-10-10

Rev. 1. Appr. GK 22-03-11