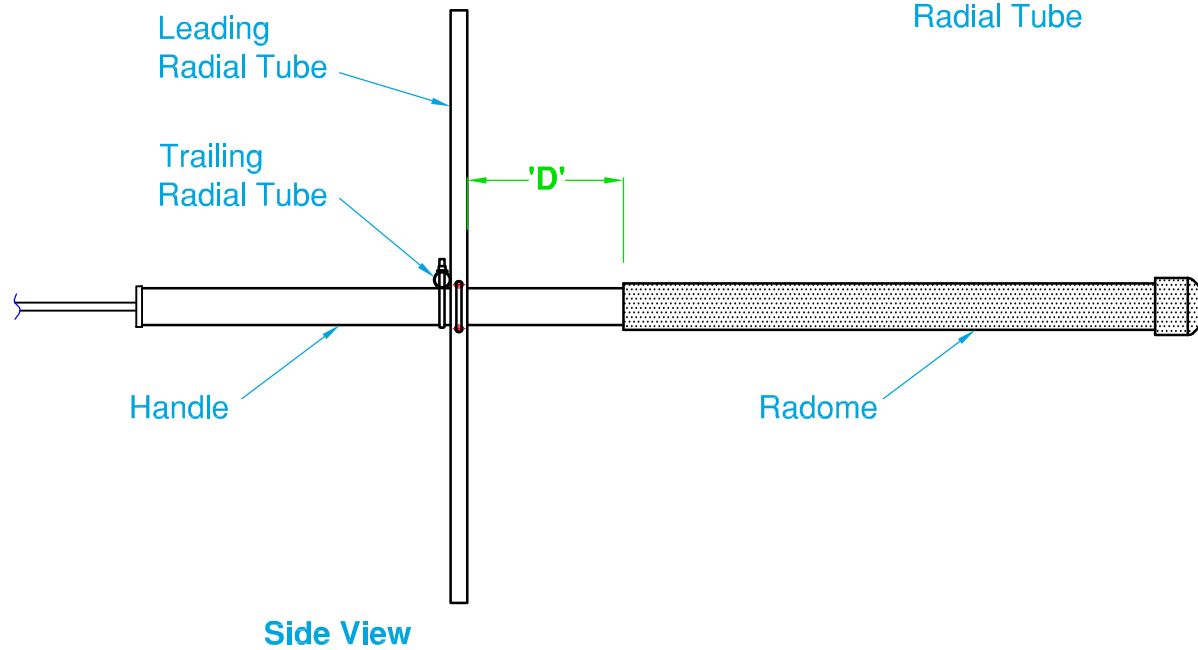
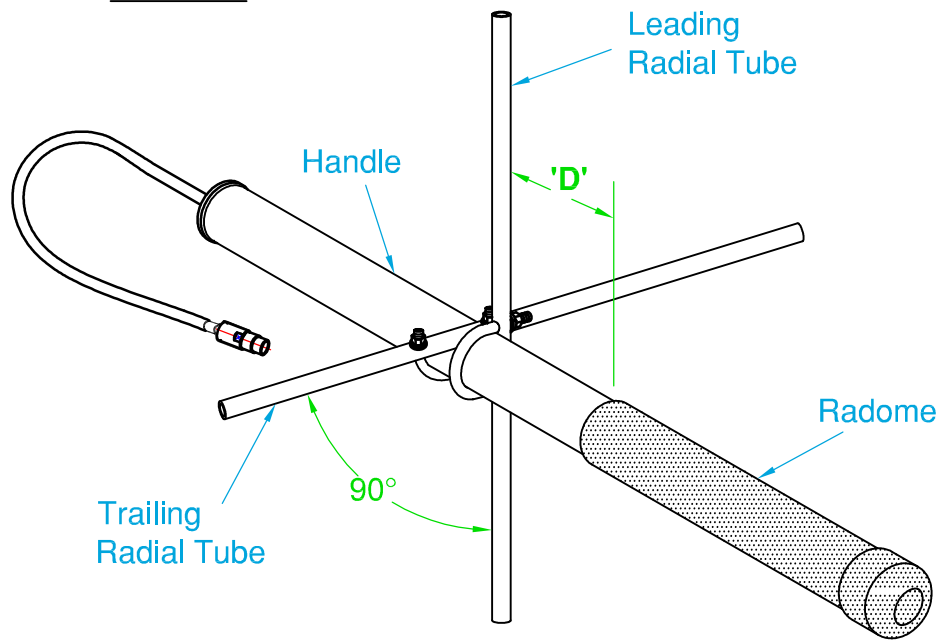


DO NOT SCALE

### Assembly Notes:

1. Position the Leading Radial Tube along the Handle at distance 'D' from the Radome.
2. Clamp Tube into position using supplied U-Bolt.
3. Position the Trailing Radial Tube at 90° to the Leading Radial.
4. The two Radials must make contact with each other.
5. Clamp the Trailing Radial into position.



'D' Distance: \_\_\_\_\_

Serial Number: \_\_\_\_\_

## B55AL Antenna

## Assembly Sketch

1084-B.dwg LM 14-10-10  
Approved: MW 15-10-10

**G-Tech** Communication Services Pty. Ltd. Trading as :  
**ZCG SCALAR**®  
DESIGNERS AND MANUFACTURERS OF RADIO FREQUENCY ANTENNAS  
Hall Street, Lindenow, Victoria, Australia.  
Tel: (03) 5157 1203 Fax: (03) 5157 1641



COPYRIGHT - **G-Tech** COMMUNICATION SERVICES PTY.LTD.  
NO PART OF THIS DRAWING IS TO BE REPRODUCED WITHOUT  
WRITTEN PERMISSION.