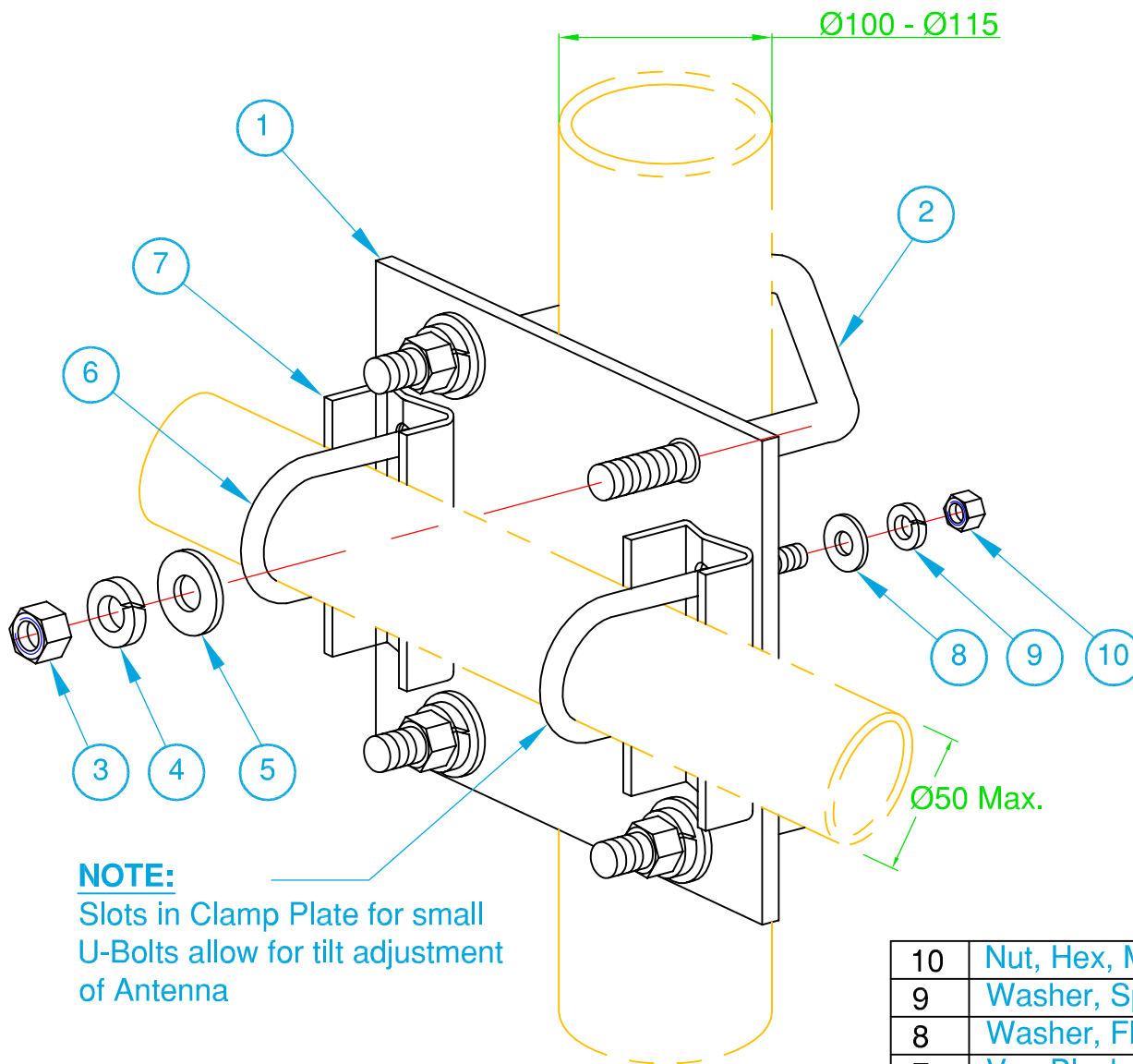


# Assembly Sketch

## C115 CLAMP KIT

To suit  $\text{Ø}100 - \text{Ø}115$  Mount Tube



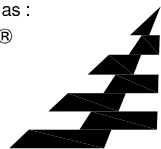
### NOTE:

Slots in Clamp Plate for small U-Bolts allow for tilt adjustment of Antenna

### PARTS SUPPLIED:

10	Nut, Hex, M8, Galvanised Steel	2
9	Washer, Spring, Stainless Steel, M8	2
8	Washer, Flat, Stainless Steel, M8	2
7	Vee Block, Stainless Steel	2
6	U-Bolt, M8 x 51 Gap, Stainless Steel	2
5	Nut, Hex, M12, Galvanised Steel	4
4	Washer, Spring, M12, Galvanised Steel	4
3	Washer, Flat, M12, Galvanised Steel	4
2	U-Bolt, M12 x 115 Gap, Galvanised Steel	2
1	Clamp Plate, Stainless Steel	1
Item	Description	Quantity

**G-Tech** Communication Services Pty. Ltd. Trading as :  
**ZCG SCALAR**<sup>®</sup>  
 DESIGNERS AND MANUFACTURERS OF RADIO FREQUENCY ANTENNAS  
 Hall Street, Lindenow, Victoria, Australia.  
 Tel: (03) 5157 1203 Fax: (03) 5157 1641



Copyright - **G-Tech** Communication Services Pty. Ltd. No part of this Drawing is to be reproduced without Written Authority

1221-20-B.dwg LM 16-02-22  
 Approved: GK 21-02-22