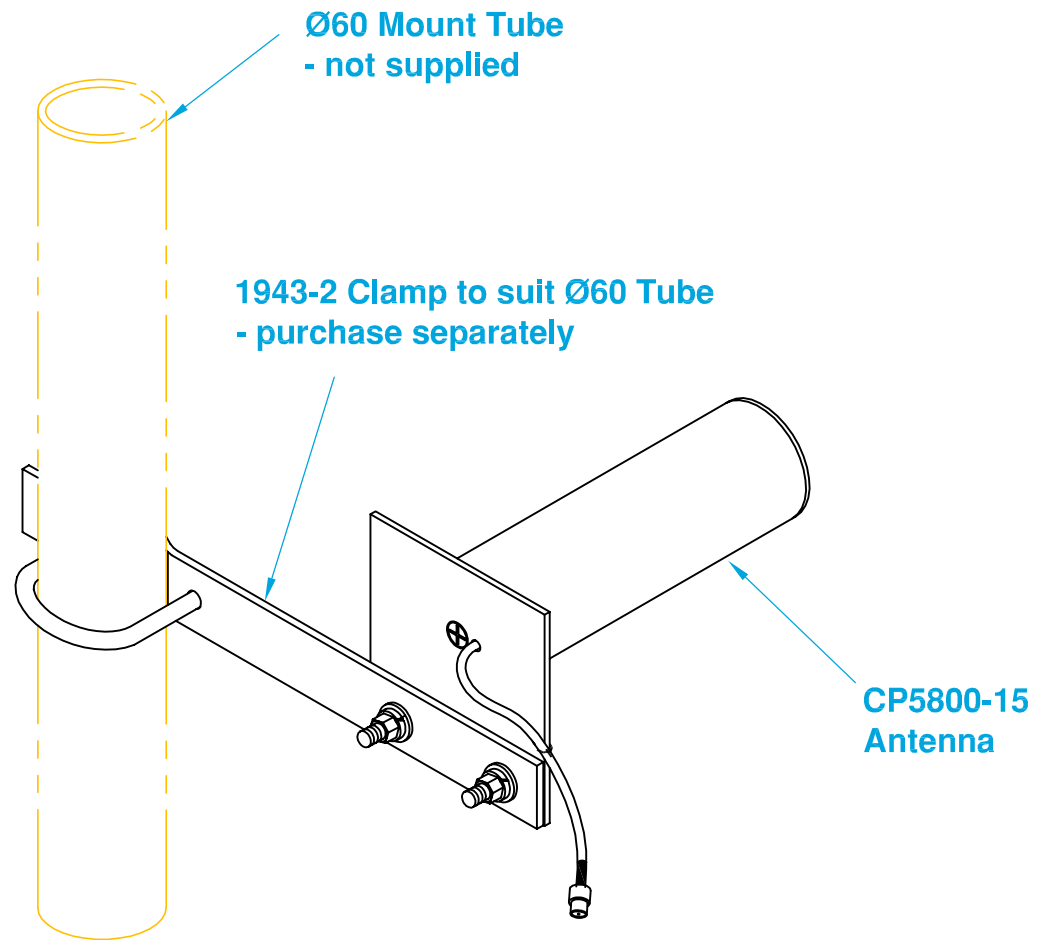


**Option 1:**  
Install direct to max.  
Ø50 Mount Tube



**Option 2:**  
Install off-set to max.  
Ø60 Mount Tube with  
1943-2 Clamp (purchase  
separately)

## Installation Guide

### CP5800-15 Antenna Frequency: 5.8 GHz

G-Tech Communication Services Pty. Ltd. Trading as :  
**ZCG SCALAR**<sup>®</sup>  
DESIGNERS AND MANUFACTURERS OF RADIO FREQUENCY ANTENNAS  
Hall Street, Lindenow, Victoria, Australia.  
Tel: (03) 5157 1203 Fax: (03) 5157 1641



COPYRIGHT - G-Tech COMMUNICATION SERVICES PTY.LTD.  
NO PART OF THIS DRAWING IS TO BE REPRODUCED WITHOUT  
WRITTEN PERMISSION.