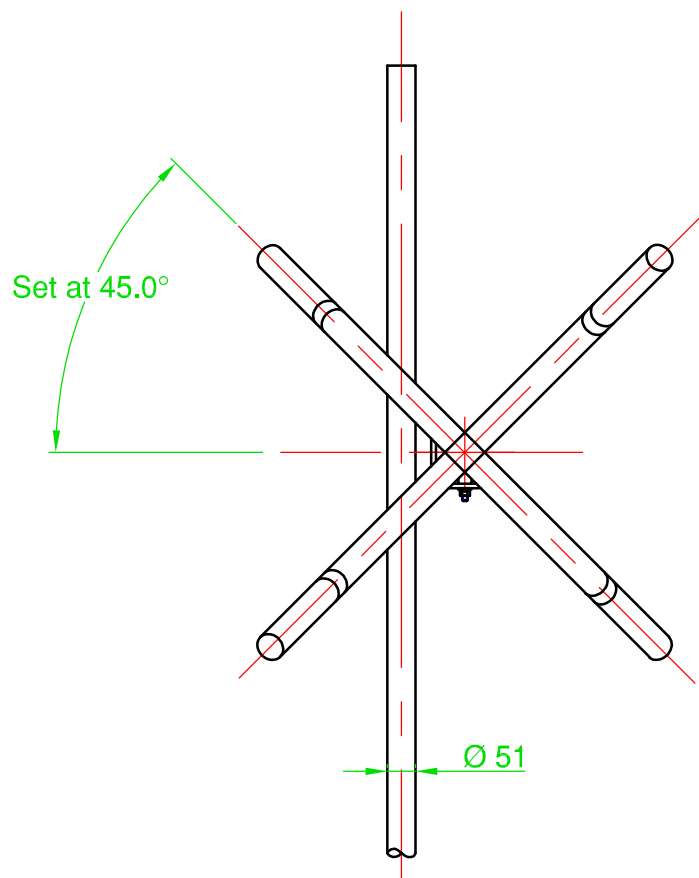


DO NOT SCALE

**FREQUENCY: 88 - 108 MHz**



**FRONT VIEW**

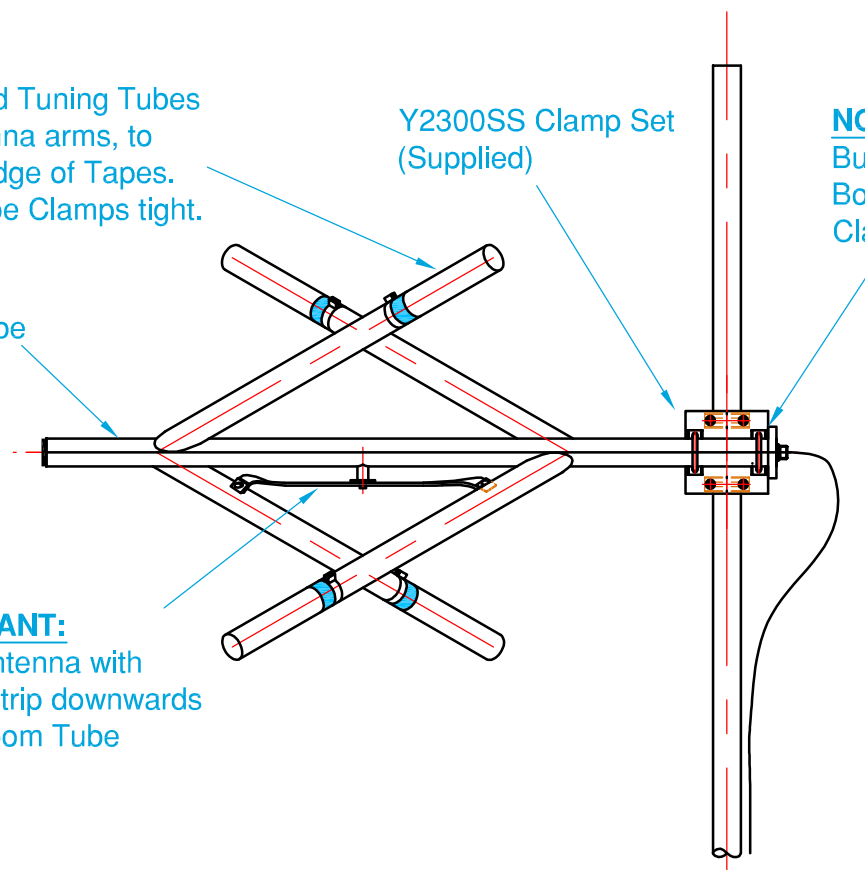
**NOTE:**  
Fit marked Tuning Tubes into Antenna arms, to starting edge of Tapes. Screw Pipe Clamps tight.

Boom Tube

**IMPORTANT:**  
Mount Antenna with Feeder Strip downwards below Boom Tube

Y2300SS Clamp Set (Supplied)

**NOTE:**  
Butt Clamp Plate up against Boom Flange when positioning Clamp Set



**SIDE VIEW**

**INSTALLATION PARTS:**

FMCPX-716 Antenna Assembly	1
Tuning Tubes, Marked for assembling.	4
Y2300 Clamp Kit, Stainless Steel	1
Description	Qty.

**Mounting Instructions:**

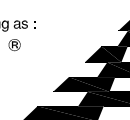
**FMCPX-716 ANTENNA**

**G-Tech** Communication Services Pty. Ltd. Trading as :

**ZCG SCALAR**®

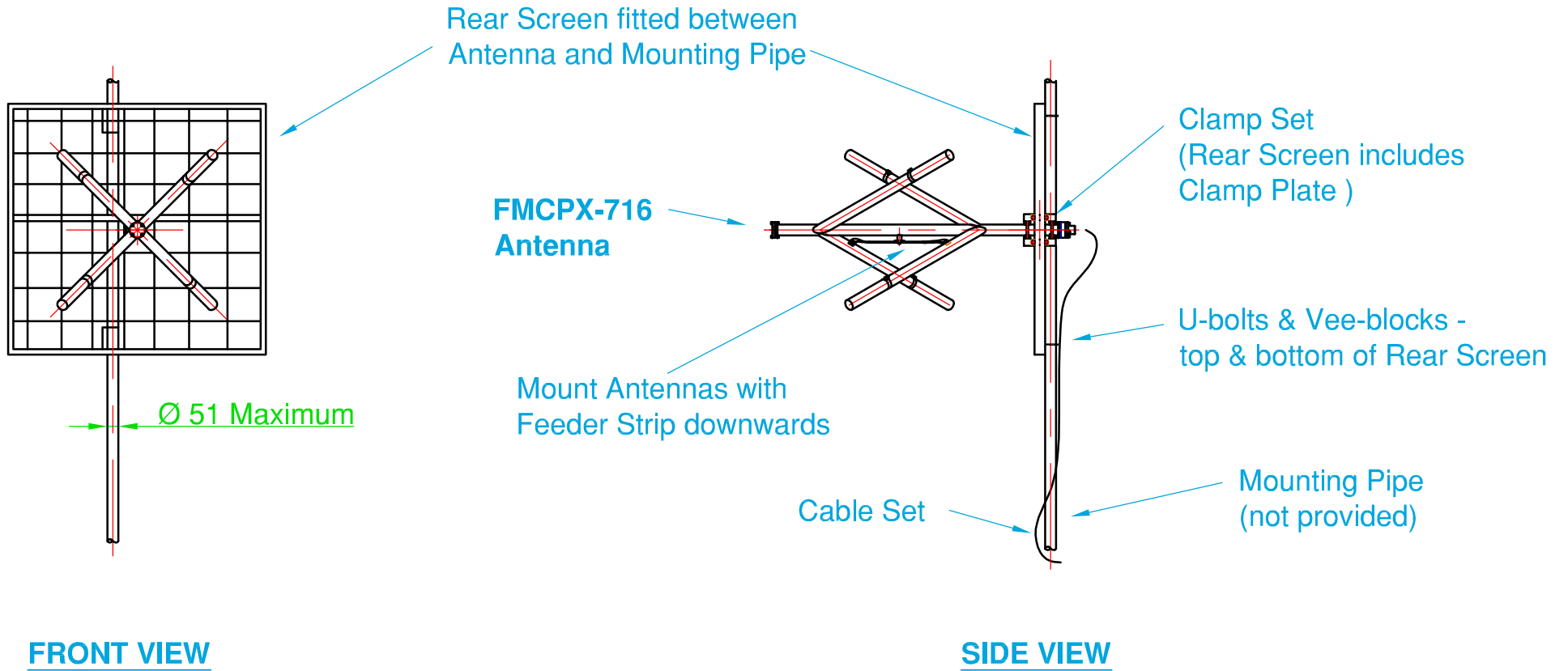
DESIGNERS AND MANUFACTURERS OF RADIO FREQUENCY ANTENNAS

Hall Street, Lindenow, Victoria, Australia.  
Tel: (03) 5157 1203 Fax: (03) 5157 1641



COPYRIGHT - **G-Tech** COMMUNICATION SERVICES PTY.LTD.  
NO PART OF THIS DRAWING IS TO BE REPRODUCED WITHOUT WRITTEN PERMISSION.

DO NOT SCALE



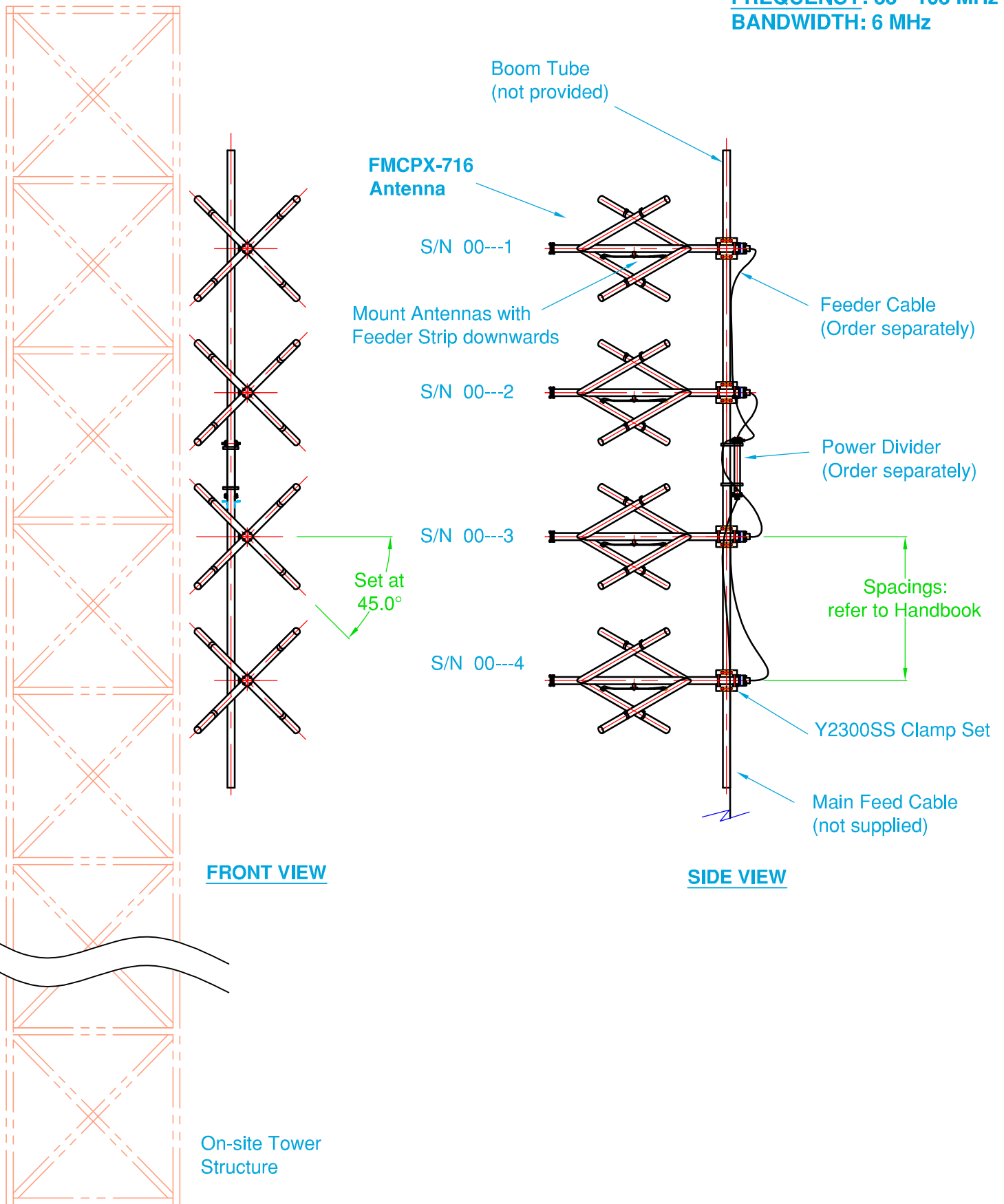
**ASSEMBLY DRAWING**

**FMCPX-716 ANTENNA**  
**WITH RS1-SS REAR SCREEN**

G-Tech Communication Services Pty. Ltd. Trading as :  
**ZCG SCALAR**<sup>®</sup>  
DESIGNERS AND MANUFACTURERS OF RADIO FREQUENCY ANTENNAS  
Hall Street, Linton, Victoria, Australia.  
Tel: (03) 5157 1203 Fax: (03) 5157 1641

COPYRIGHT - G-Tech COMMUNICATION SERVICES PTY.LTD.  
NO PART OF THIS DRAWING IS TO BE REPRODUCED WITHOUT WRITTEN PERMISSION.

**FREQUENCY: 88 - 108 MHz**  
**BANDWIDTH: 6 MHz**



# FMCPX-716 4-Bay Stack Array



**FREQUENCY: 88 - 108 MHz**  
**BANDWIDTH: 6 MHz**

Boom Tube  
(not provided)

FMCPX-716  
Antenna

S/N 00--1

S/N 00--2

Mount Antennas with  
Feeder Strip downwards

S/N 00--3

S/N 00--4

S/N 00--5

S/N 00--6

Spacings:  
refer to Handbook

Feeder Cable  
(Order separately)

Power Divider  
(Order separately)

Y2300SS  
Clamp Set

Main Feed Cable  
(not supplied)

Set at  
45.0°

**FRONT VIEW**

**SIDE VIEW**

On-site Tower  
Structure

# FMCPX-716 6-Bay Stack Array

G-Tech Communication Services Pty. Ltd. Trading as:  
**ZCG SCALAR**  
DESIGNERS AND MANUFACTURERS OF RADIO FREQUENCY ANTENNAS  
Hall Street, Underwood, Victoria, Australia  
Tel: (03) 9167 1203 Fax: (03) 9167 1641



COPYRIGHT - G-Tech COMMUNICATION SERVICES PTY.LTD.  
NO PART OF THIS DRAWING IS TO BE REPRODUCED WITHOUT  
WRITTEN PERMISSION.