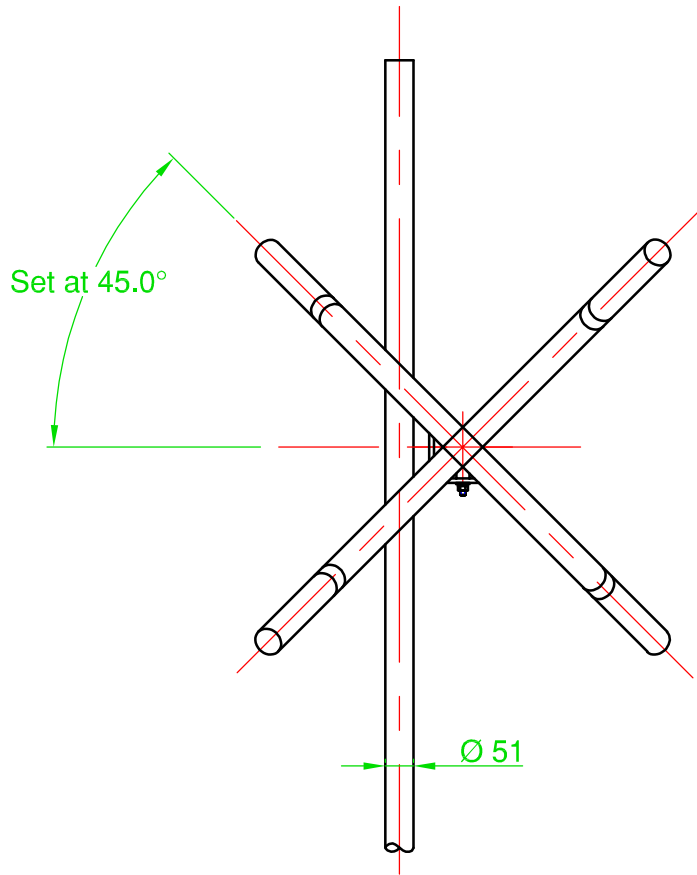


DO NOT SCALE

FREQUENCY: 88 - 108 MHz



FRONT VIEW

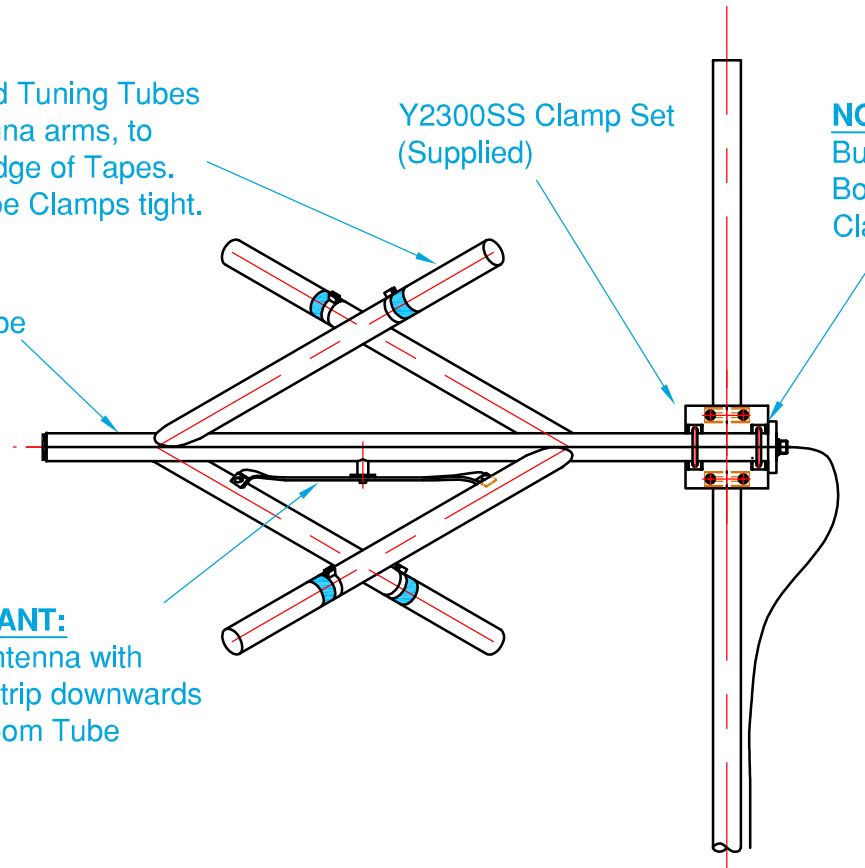
NOTE:
Fit marked Tuning Tubes into Antenna arms, to starting edge of Tapes. Screw Pipe Clamps tight.

Boom Tube

IMPORTANT:
Mount Antenna with Feeder Strip downwards below Boom Tube

Y2300SS Clamp Set (Supplied)

NOTE:
Butt Clamp Plate up against Boom Flange when positioning Clamp Set



SIDE VIEW

INSTALLATION PARTS:

FMCPX-78 Antenna Assembly	1
Tuning Tubes, Marked for assembling.	4
Y2300 Clamp Kit, Stainless Steel	1
Description	Qty.

Mounting Instructions:

FMCPX-78 ANTENNA

G-Tech Communication Services Pty. Ltd. Trading as :

ZCG SCALAR®

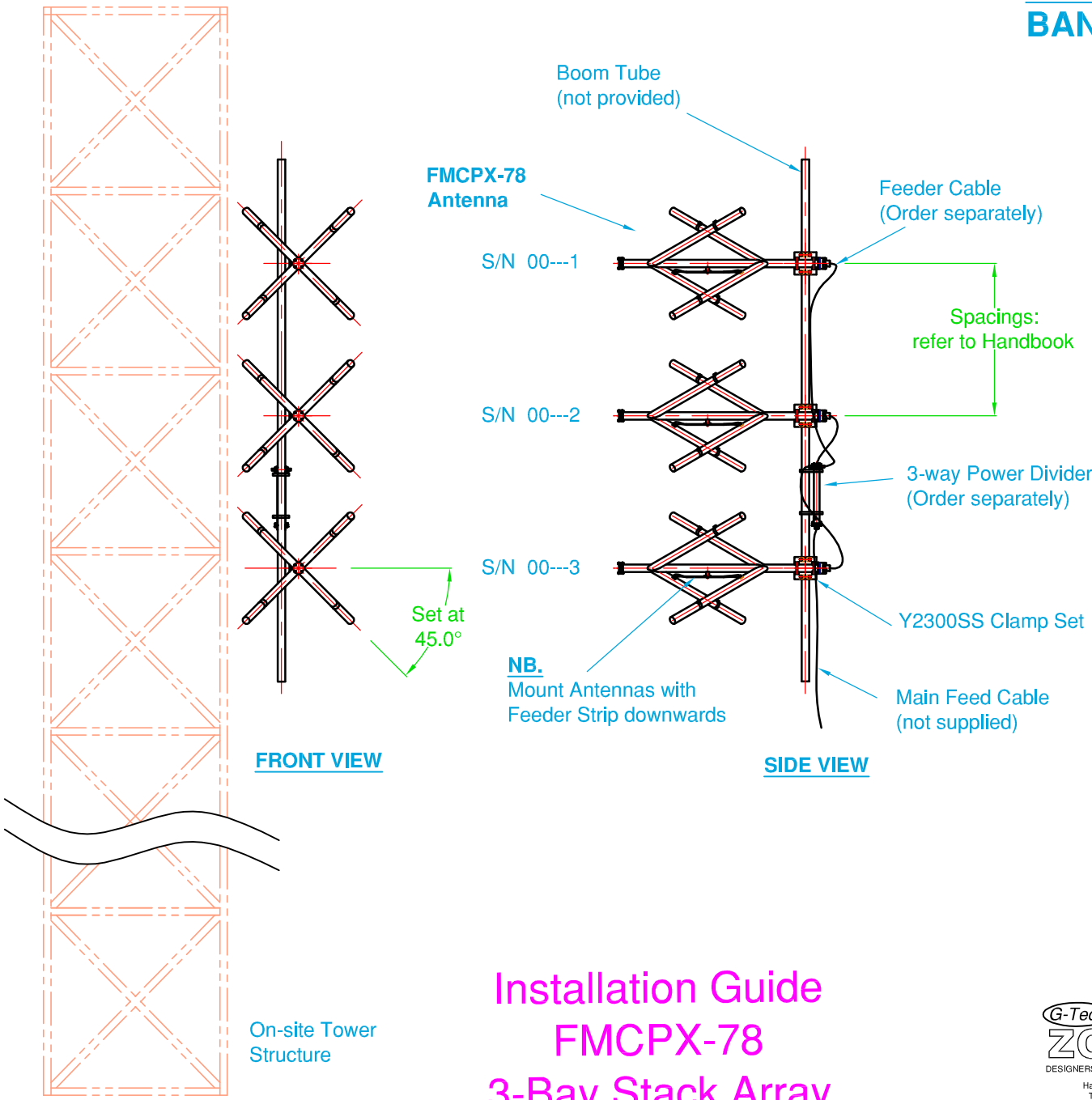
DESIGNERS AND MANUFACTURERS OF RADIO FREQUENCY ANTENNAS

Hall Street, Lindenow, Victoria, Australia.
Tel: (03) 5157 1203 Fax: (03) 5157 1641



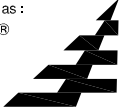
COPYRIGHT - **G-Tech** COMMUNICATION SERVICES PTY.LTD.
NO PART OF THIS DRAWING IS TO BE REPRODUCED WITHOUT WRITTEN PERMISSION.

FREQUENCY: 87.5 - 108 MHz
BANDWIDTH: 6 MHz



Installation Guide
FMCPX-78
3-Bay Stack Array

G-Tech Communication Services Pty. Ltd. Trading as :
ZCG SCALAR[®]
 DESIGNERS AND MANUFACTURERS OF RADIO FREQUENCY ANTENNAS
 Hall Street, Lindenow, Victoria, Australia.
 Tel: (03) 5157 1203 Fax: (03) 5157 1641



COPYRIGHT - G-Tech COMMUNICATION SERVICES PTY.LTD.
 NO PART OF THIS DRAWING IS TO BE REPRODUCED WITHOUT WRITTEN PERMISSION.