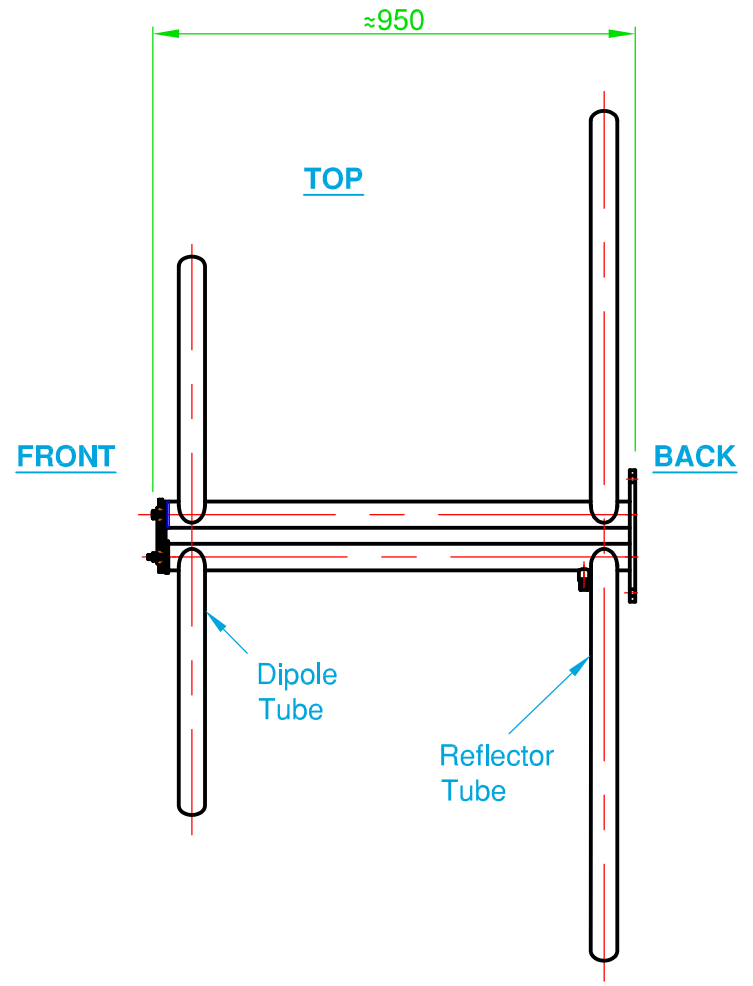


NOTE:
Longer Branch Feeder Cable
attaches to Connector 'A'.



Assembly Sketch

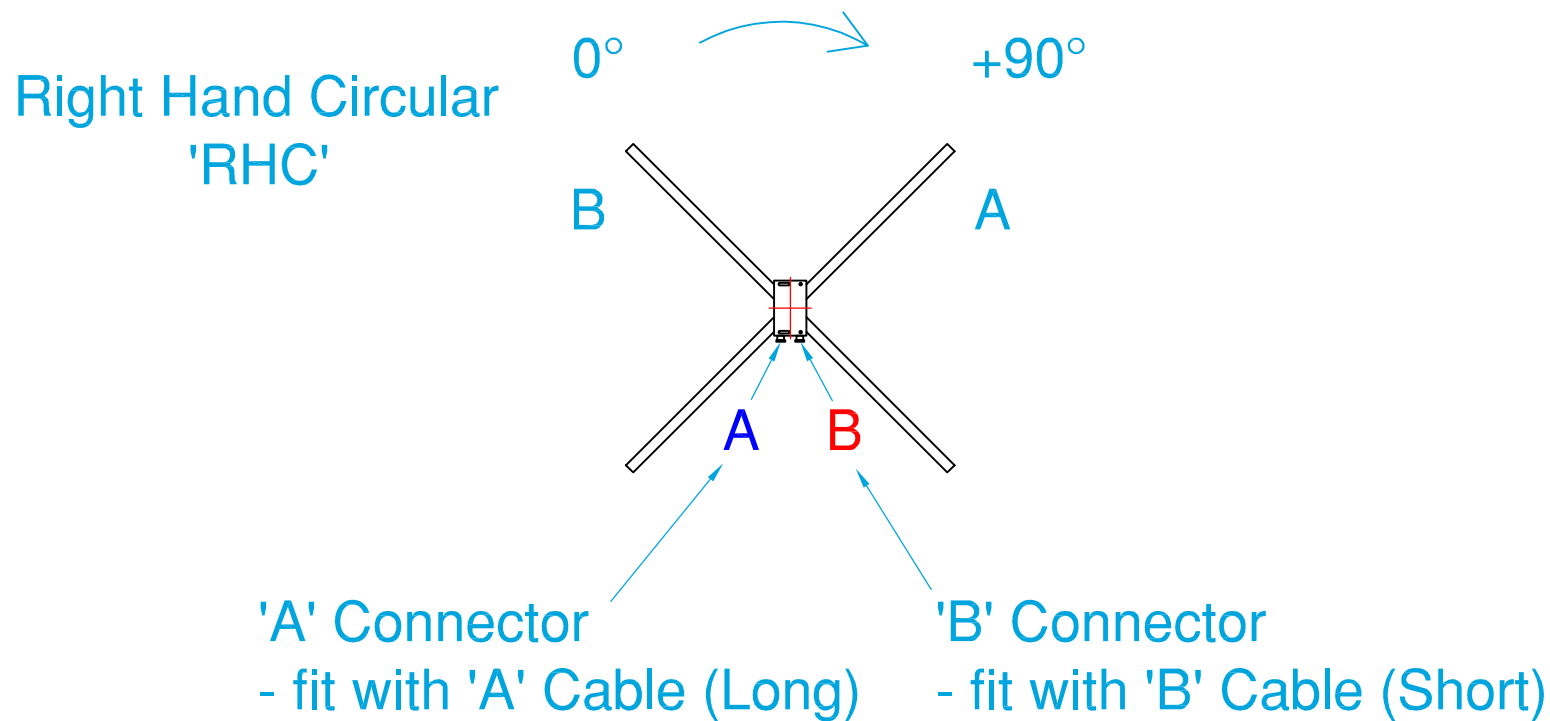
FMCPY2 ANTENNA

1604-B.dwg AJH 25-11-08
Approved: G.K.
Rev. 3 LM 13-09-19

G-Tech Communication Services Pty. Ltd. Trading as :
ZCG SCALAR[®]
DESIGNERS AND MANUFACTURERS OF RADIO FREQUENCY ANTENNAS
Hall Street, Lindenow, Victoria, Australia.
Tel: (03) 5157 1203 Fax: (03) 5157 1641



COPYRIGHT - **G-Tech** COMMUNICATION SERVICES PTY.LTD.
NO PART OF THIS DRAWING IS TO BE REPRODUCED WITHOUT
WRITTEN PERMISSION.



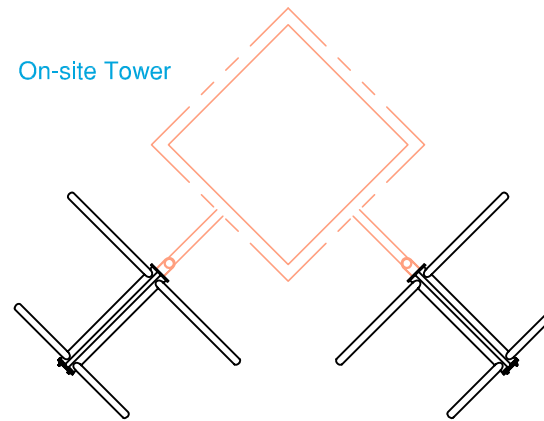
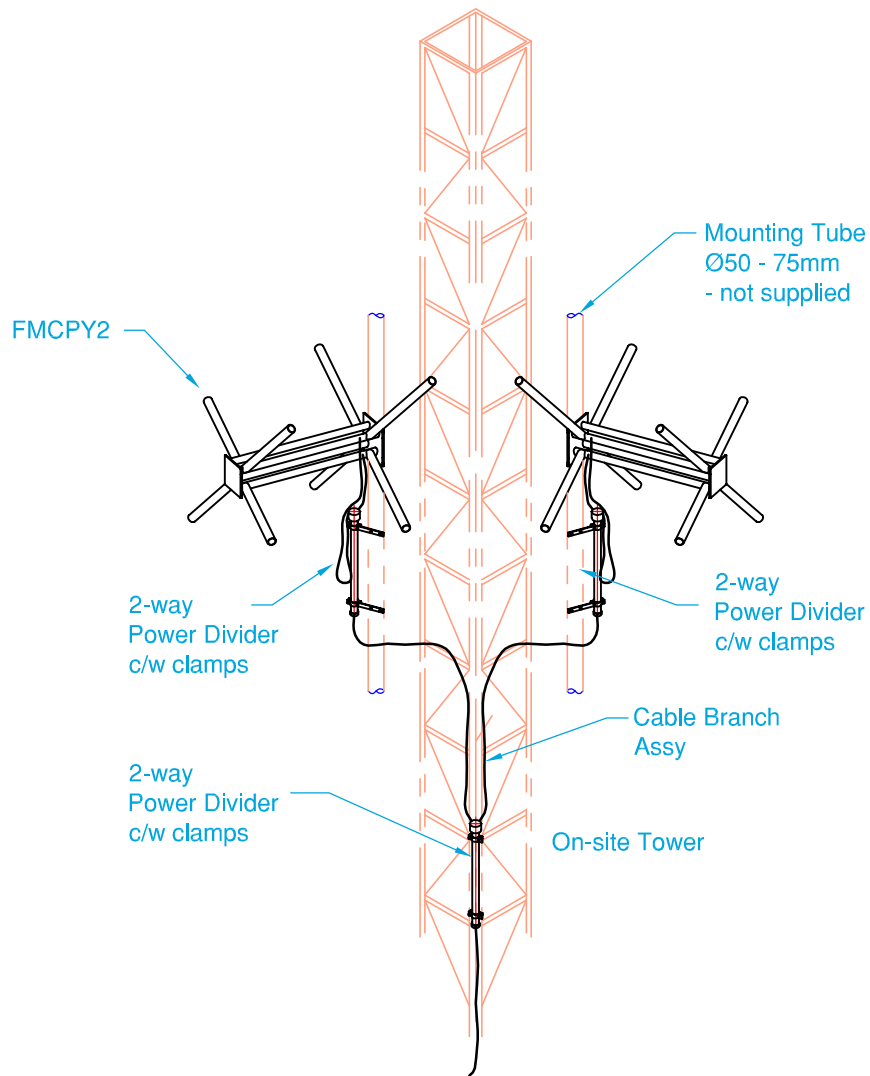
Looking from the rear of the Dipole

Assembly Sketch

FMCPY2 ANTENNA



DO NOT SCALE



PLAN VIEW

FMCPY2 Series 2-bay Array

- 2 x FMCPY2 Antenna
- U-bolts with Antennas
- 2 x 2-way Power Divider c/w Clamps
- 1 x 2-way Power Divider c/w Clamps
- 4 x Cable Assembly
- 2 x Cable Branch Assembly

Mounting Tubes not supplied

Assembly Sketch

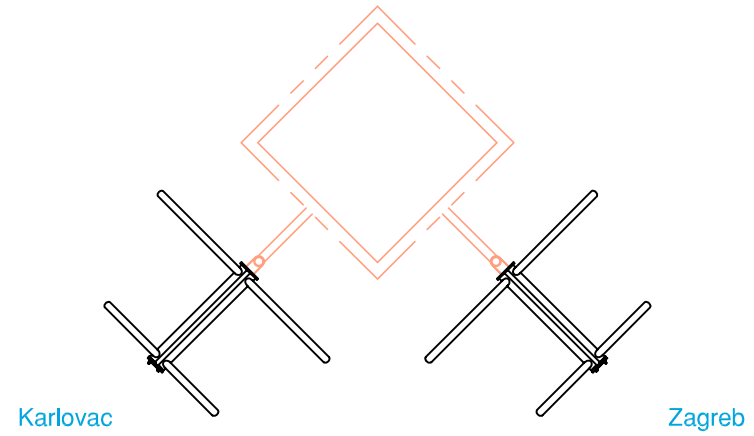
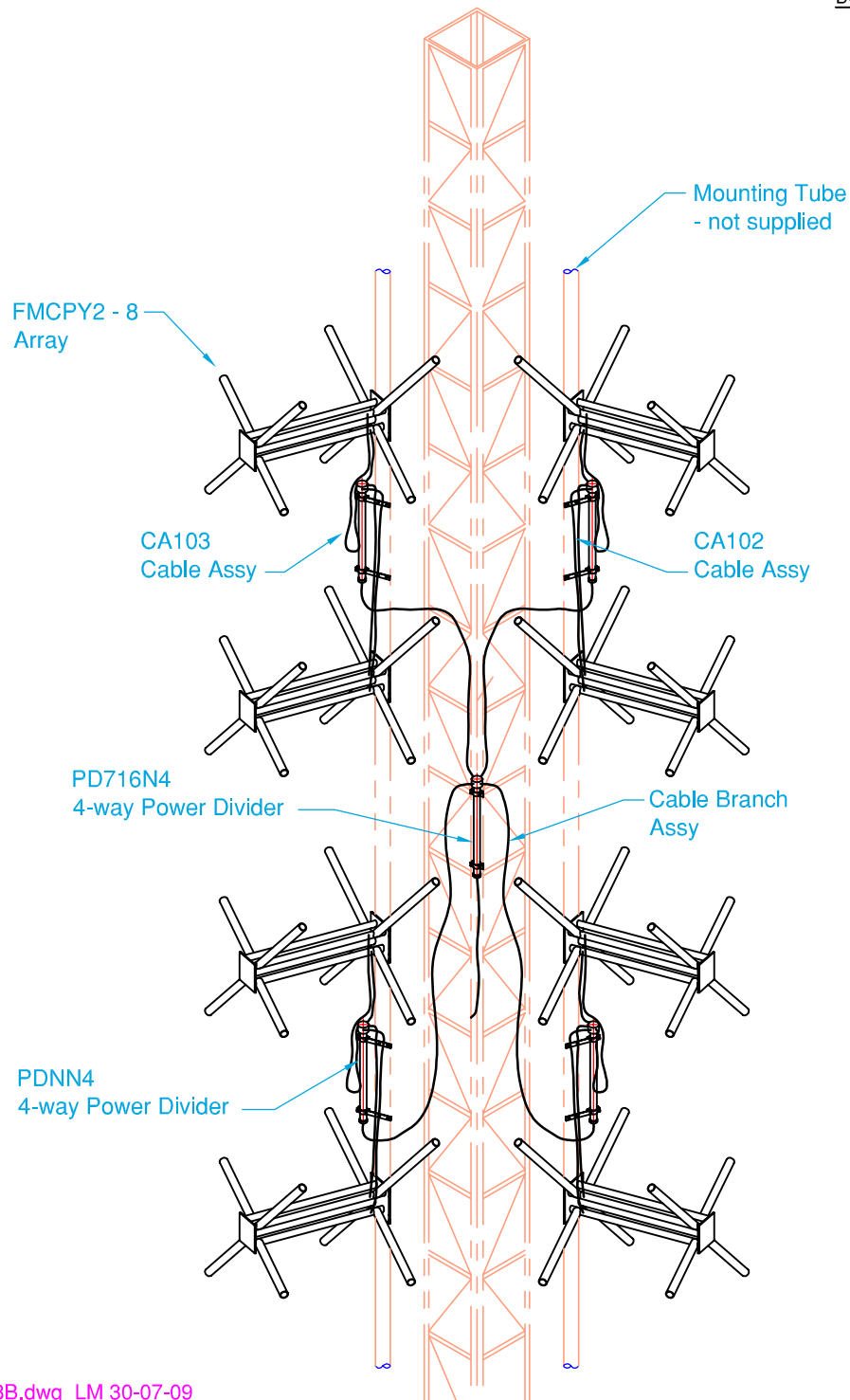
**FMCPY2 Series Antenna,
2-bay Array**

G-Tech Communication Services Pty. Ltd. Trading as :
ZCG SCALAR[®]
DESIGNERS AND MANUFACTURERS OF RADIO FREQUENCY ANTENNAS
Hall Street, Lindenow, Victoria, Australia.
Tel: (03) 5157 1203 Fax: (03) 5157 1641



COPYRIGHT - **G-Tech** COMMUNICATION SERVICES PTY.LTD.
NO PART OF THIS DRAWING IS TO BE REPRODUCED WITHOUT
WRITTEN PERMISSION.

DO NOT SCALE



PLAN VIEW

FMCPY2-8 ARRAY

- FMCPY2-8 Antenna Array
- U-bolts with Antennas
- 4 x 4-way PDNN4 Power Divider
- 1 x 4-way PD716N4 Power Divider
- 8 x CA102 Cable Assembly
- 8 x CA103 Cable Assembly
- 2 x Cable Branch Assembly

Mounting Tubes not supplied

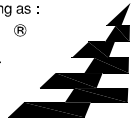
**Assembly Sketch
FMCPY-8 ARRAY**

G-Tech Communication Services Pty. Ltd. Trading as :

ZCG SCALAR®

DESIGNERS AND MANUFACTURERS OF RADIO FREQUENCY ANTENNAS

Hall Street, Lindenow, Victoria, Australia.
Tel: (03) 5157 1203 Fax: (03) 5157 1641



COPYRIGHT - G-Tech COMMUNICATION SERVICES PTY.LTD.
NO PART OF THIS DRAWING IS TO BE REPRODUCED WITHOUT
WRITTEN PERMISSION.