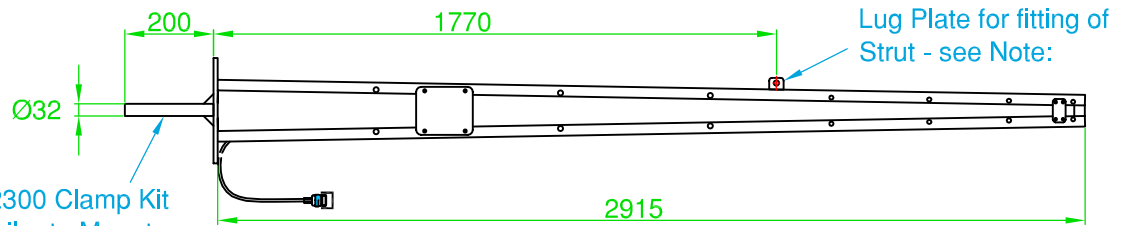


**ASSEMBLY NOTES:**

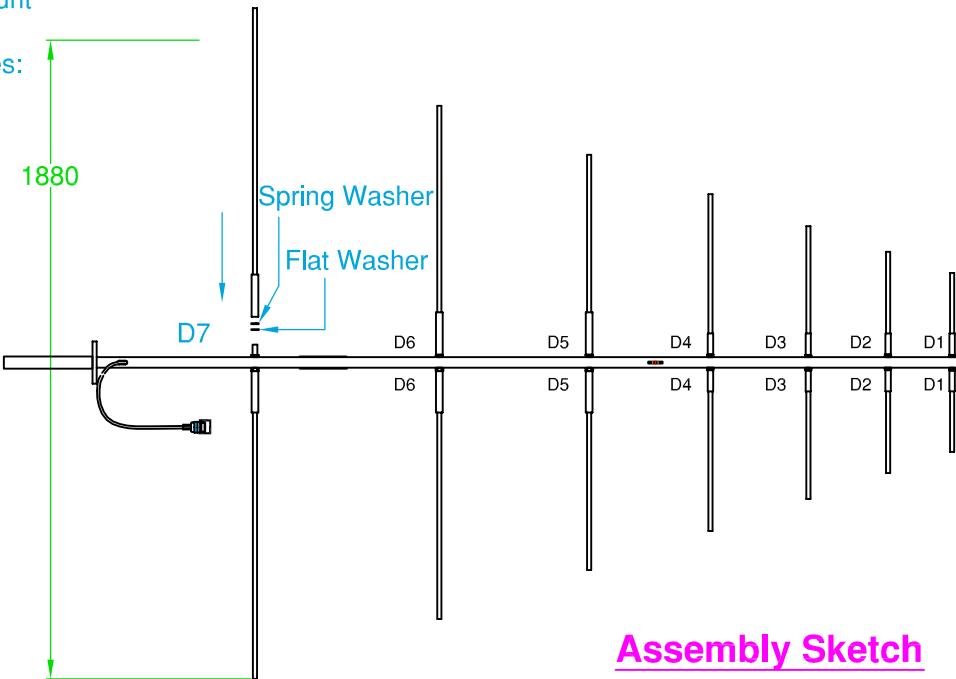
1. Director Elements are labelled D7 to D1
2. The Antenna has two of each Director: 2 x D7, 2 x D6 .. and so on
3. Connection Jointing Paste has been applied each Boom Bolt
4. Fit supplied M10 & M12 flat washer & spring washer to respective Boom Bolt
5. Attach each Director to its corresponding Label position on the Boom
6. Use the supplied Tommy Bar to tighten each Director

**INSTALLATION NOTES:**

- Use Y2300 Clamp Kit or similar to fit antenna to mast - purchase separately.
- It is recommended to install Antenna with a RF2.5 Strut Kit - purchase separately.

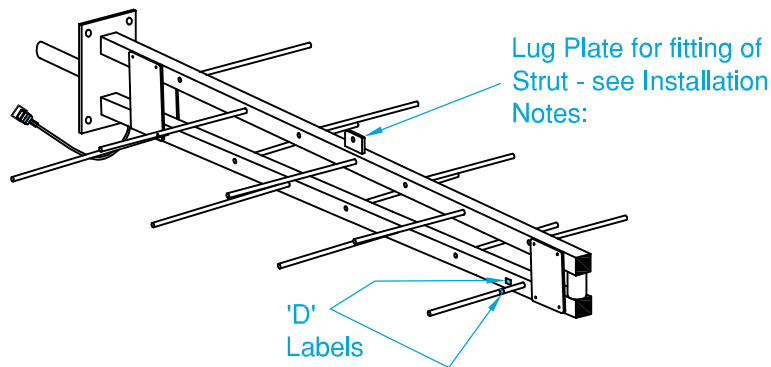


Fit Y2300 Clamp Kit or similar to Mount Tube - see Installation Notes:



**Assembly Sketch**

**LPY108-88 Antenna Aluminium**



**Weight: 2.6 kg**  
**Wind Loading: 57.517 kg 0.564 kN**

G-Tech Communication Services Pty. Ltd. Trading as :  
**ZCG SCALAR**<sup>®</sup>  
 DESIGNERS AND MANUFACTURERS OF RADIO FREQUENCY ANTENNAS  
 Hall Street, Lindenow, Victoria, Australia.  
 Tel: (03) 5157 1203 Fax: (03) 5157 1641



COPYRIGHT - G-Tech COMMUNICATION SERVICES PTY.LTD.  
 NO PART OF THIS DRAWING IS TO BE REPRODUCED WITHOUT WRITTEN PERMISSION.