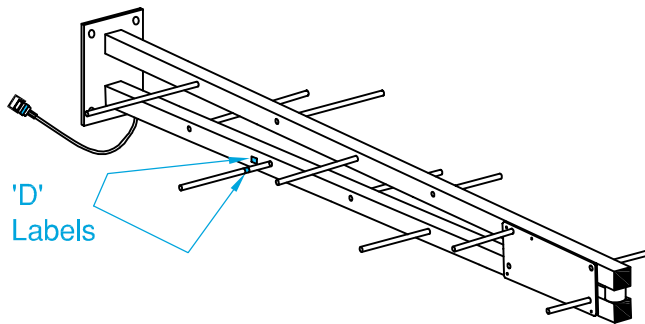
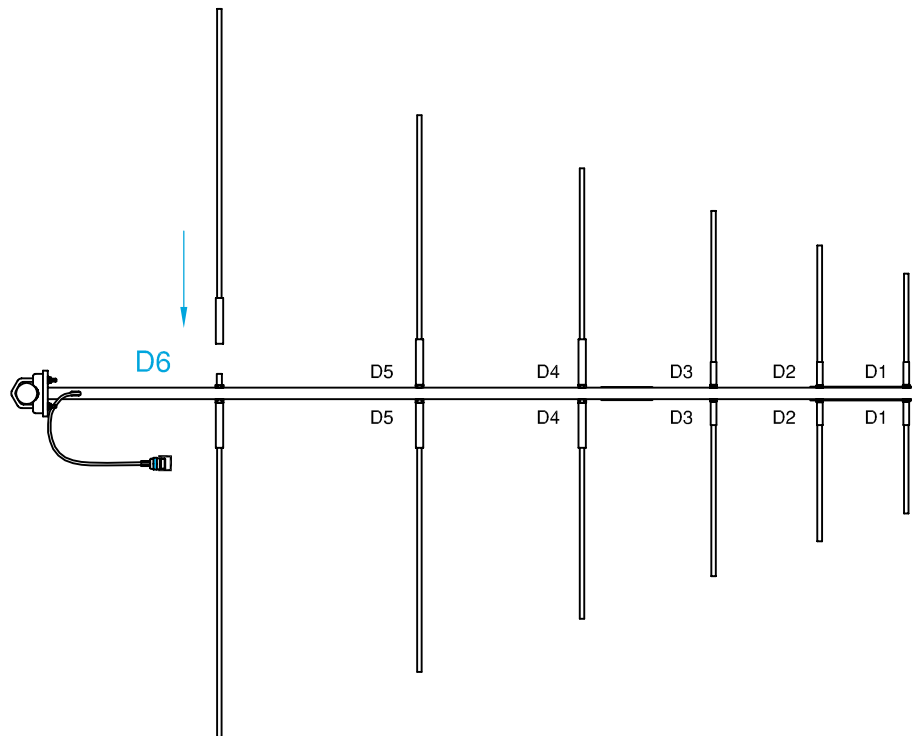
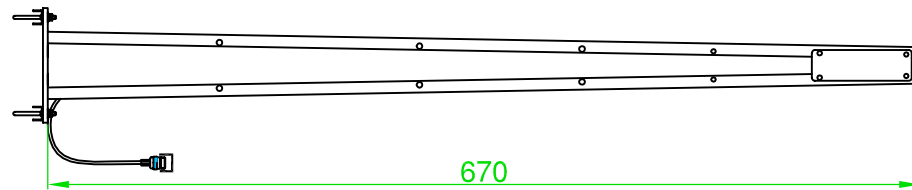


ASSEMBLY NOTES:

1. Director Elements are labelled D6 to D1
2. The Antenna has two of each Director: 2 x D6, 2 x D5 .. and so on
3. Apply a small amount of Connection Jointing Paste to each Boom Bolt
4. Attach each Director to its corresponding Label position on the Boom
5. Use the supplied Tommy Bar to tighten each Director



Assembly Sketch

LPY350 Antenna

G-Tech Communication Services Pty. Ltd. Trading as :
ZCG SCALAR®
DESIGNERS AND MANUFACTURERS OF RADIO FREQUENCY ANTENNAS
Hall Street, Lindenow, Victoria, Australia.
Tel: (03) 5157 1209 Fax: (03) 5157 1641



COPYRIGHT - **G-Tech** COMMUNICATION SERVICES PTY.LTD.
NO PART OF THIS DRAWING IS TO BE REPRODUCED WITHOUT
WRITTEN PERMISSION.