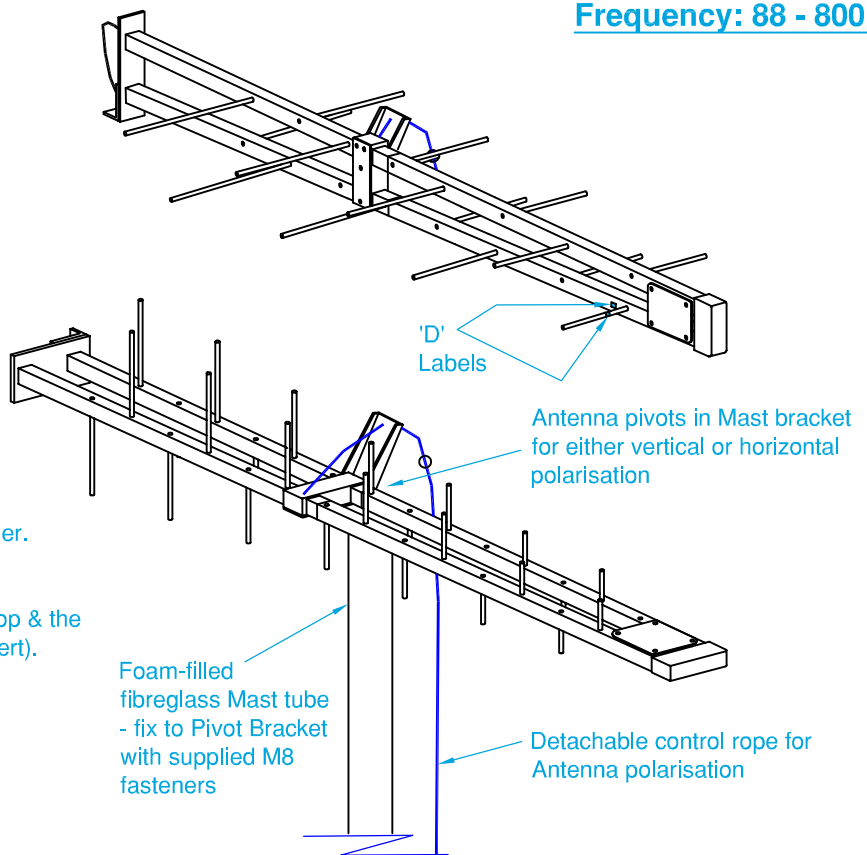
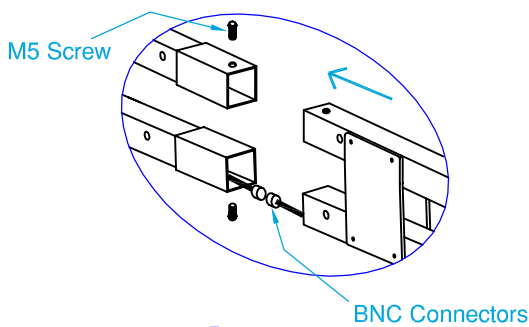


**CONTENTS:**

- LPY88-800-175SB Antenna - split boom.
- N-type Panel Mount Connector.
- Foam Filled Fibreglass Mast.
- Angle Bracket for Antenna polarisation.
- Control rope for Antenna polarisation.

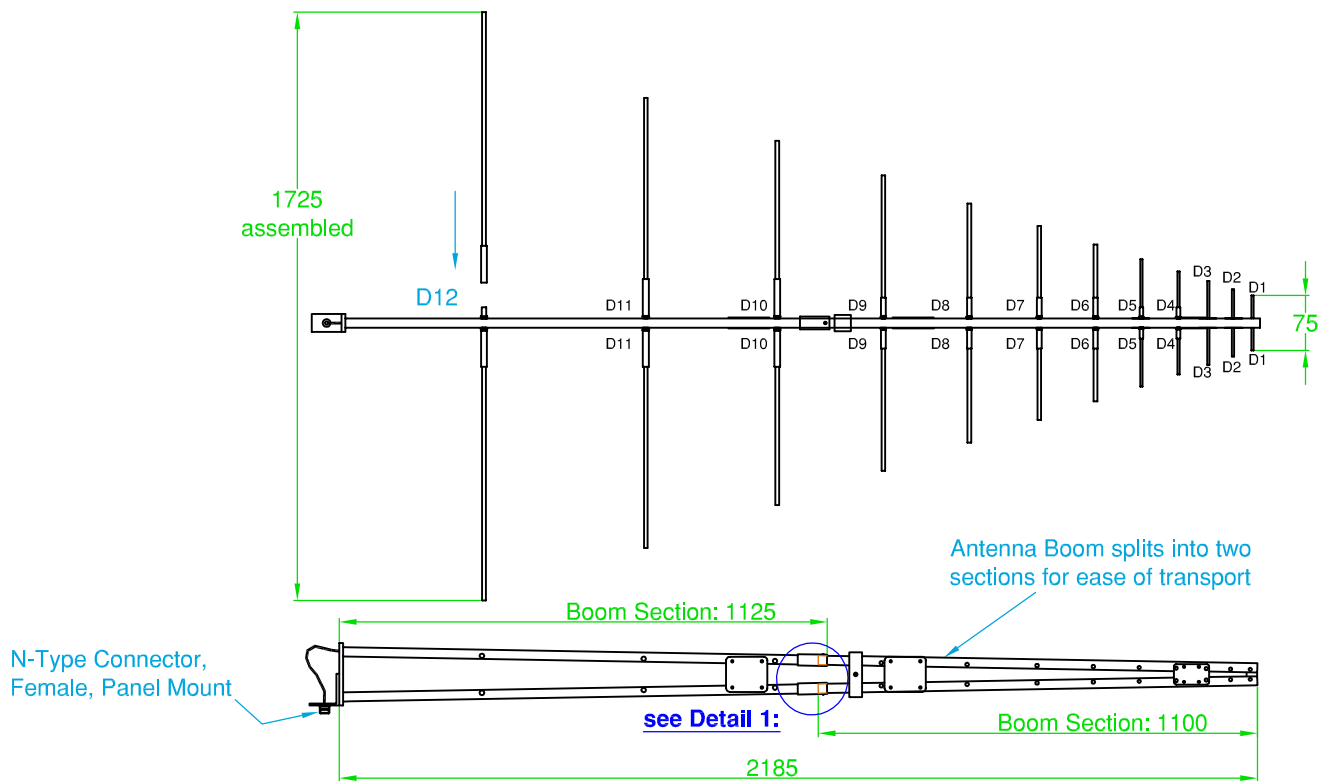
**ASSEMBLY NOTES:**

1. Bring the the two Boom halves close together.
2. Fit the two BNC Connectors together.
3. Fit the Boom halves together.
4. Fix the two Screws, one each through the top & the bottom (Screws go into a threaded rivet insert).



**ASSEMBLY NOTES cont:**

5. Director Elements are labelled D12 to D4
6. The Antenna has two of each Director: 2 x D12, 2 x D11 .. and so on
7. Apply a small amount of Connection Jointing Paste to each Boom Bolt
8. Attach each Director to its corresponding Label position on the Boom
9. Use the supplied Tommy Bar to tighten each Director
10. D3 to D1 Directors are pre-welded to the Boom



**Assembly Sketch**

**LPY88-800-175SB Antenna**  
**Split Boom**  
**Aluminium**

