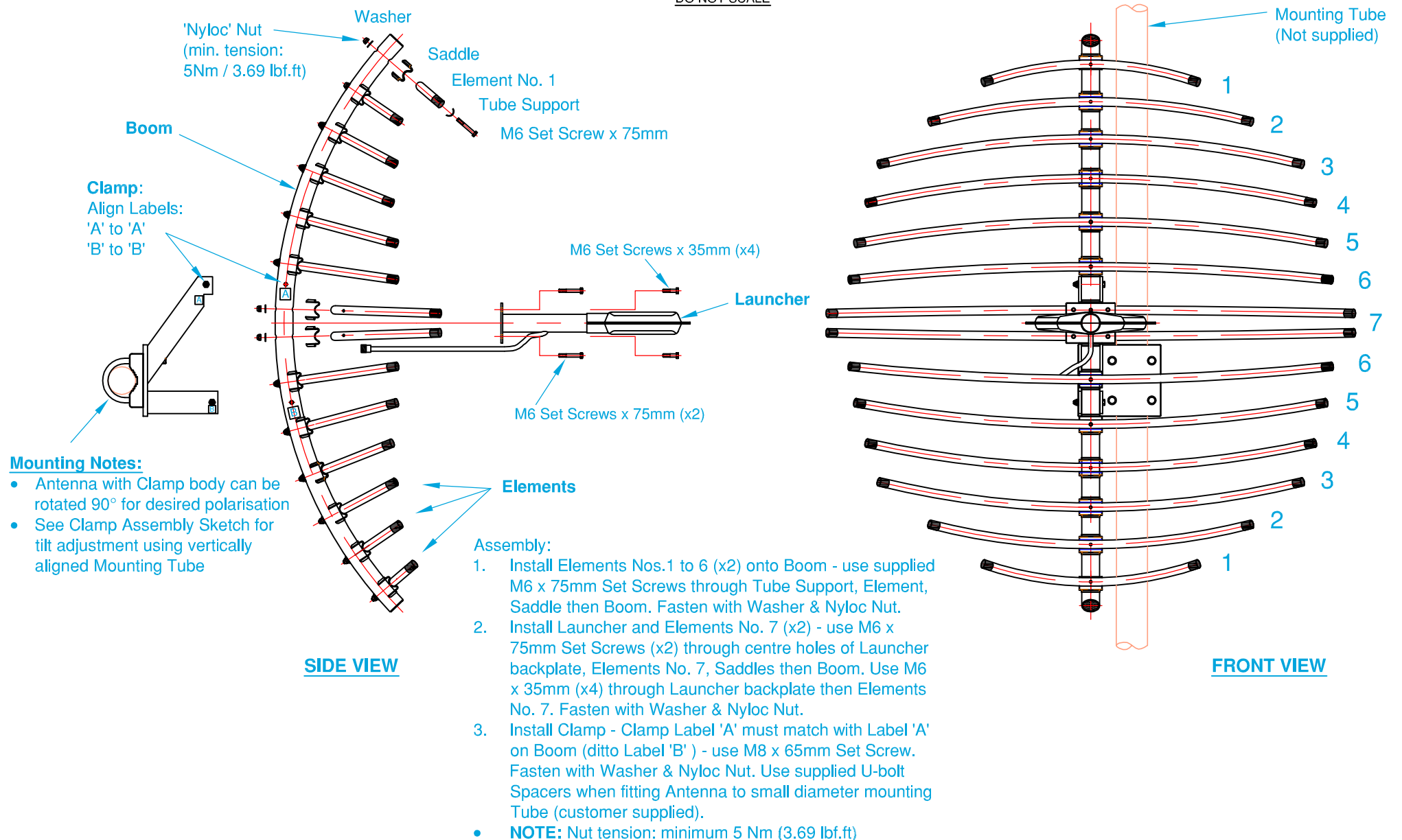


DO NOT SCALE



**SIDE VIEW**

**FRONT VIEW**

### Assembly Sketch

# MGP-4850N, MGP-4750N Grid Packs

G-Tech Communication Services Pty. Ltd. Trading as :

## ZCG SCALAR®

DESIGNERS AND MANUFACTURERS OF RADIO FREQUENCY ANTENNAS

Hall Street, Lindenow, Victoria, Australia.  
Tel: (03) 5157 1203 Fax: (03) 5157 1641



COPYRIGHT - G-Tech COMMUNICATION SERVICES PTY.LTD.  
NO PART OF THIS DRAWING IS TO BE REPRODUCED WITHOUT WRITTEN PERMISSION.

# 1.2 metre Grid Pack

## PARTS SUPPLIED:

| 4422         | Boom   | 1        |
|--------------|--|----------|
| 4423-2       | Elements 1 - 7                                     | 14       |
| 2548, -4, -5 | Launcher Assy                                      | 1        |
| 1821         | Clamp c/w U-bolts, Spacers and Fasteners           | 1        |
| 2932-5       | Saddle and Bolt Kit c/w Tube Supports for Elements | 1        |
| P/N          | Description  | Quantity |

## Parts List

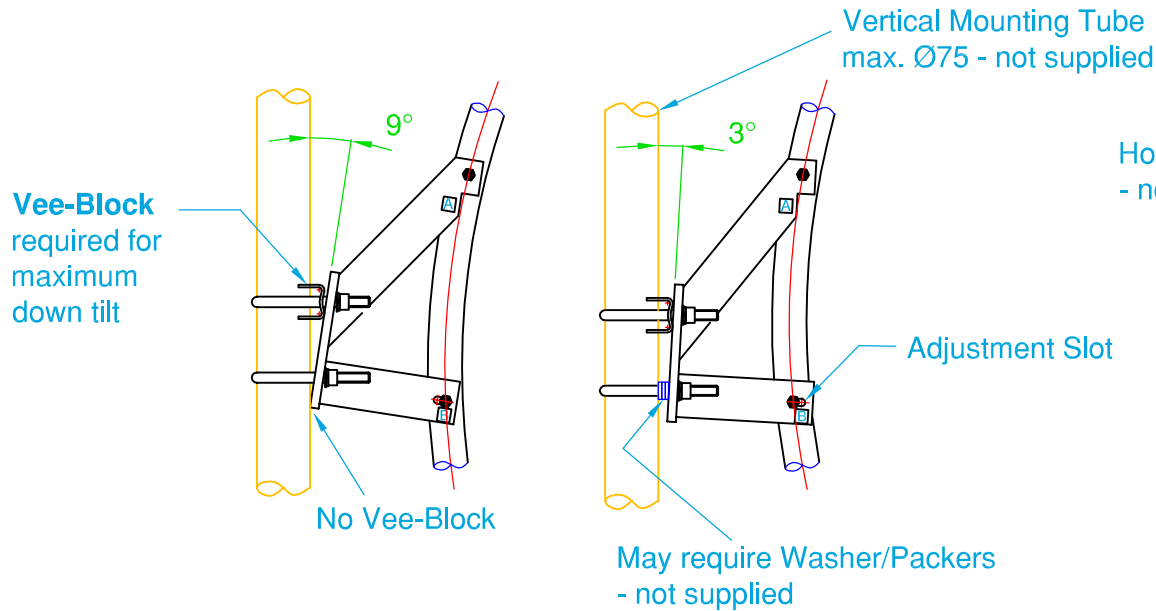
# 1.2 metre Grid Pack



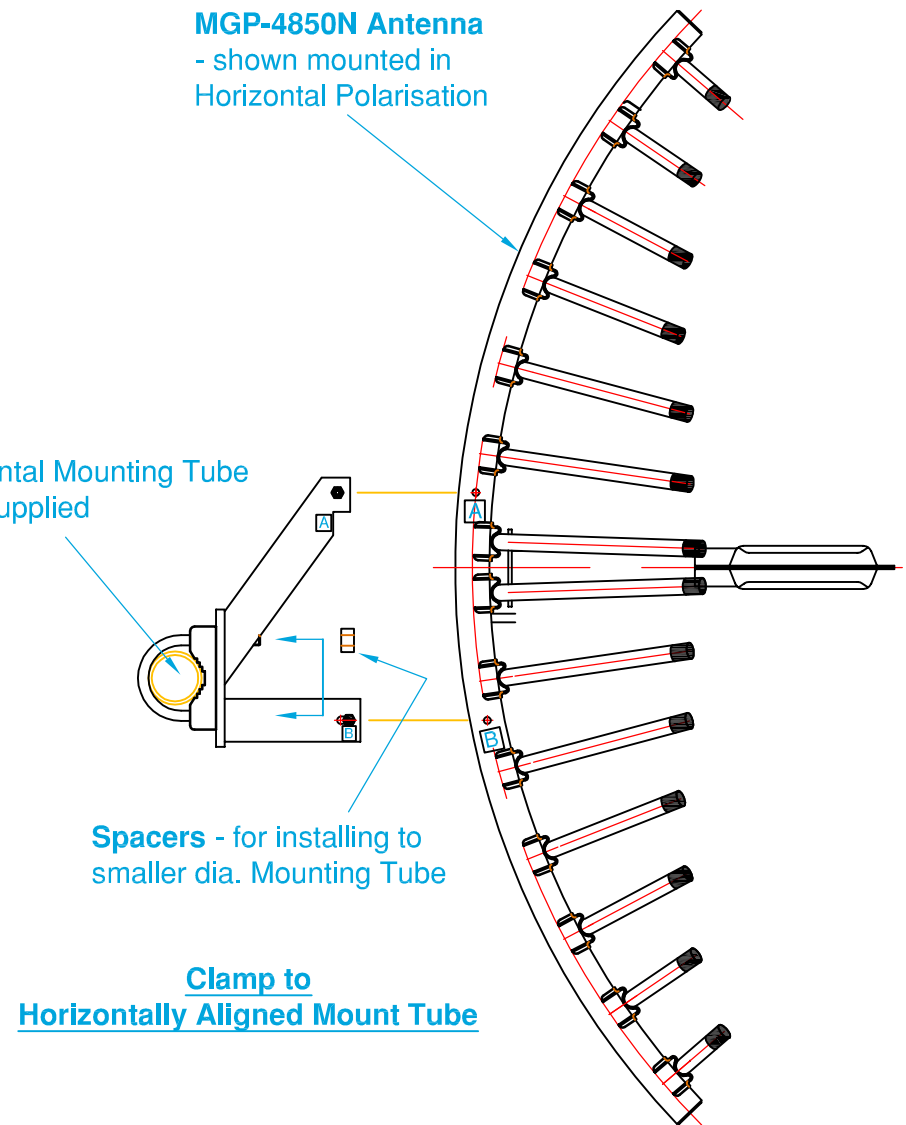
### Mounting Notes:

- see [Antenna Assembly Sketch](#) for fitting of Clamp to Grid Pack Dish

- Antenna with Clamp body can be rotated 90° for desired polarisation
- U-bolts & V-blocks can be rotated 90° for mounting to horizontally or vertically aligned Mounting Tube
- For tilt adjustment with vertically aligned Mounting Tube; remove lower or higher Vee-Block & loosen 'Clamp to Antenna' Bolts to achieve desired tilt.
- Tighten Bolts to secure into position.



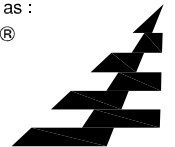
**Tilt Adjustment Example for Clamp to Vertically Aligned Mount Tube**



## Assembly Sketch

# CLAMP ASSY FOR MGP-4850N MGP-3850N GRID PACK

**G-Tech** Communication Services Pty. Ltd. Trading as :  
**ZCG SCALAR**®  
DESIGNERS AND MANUFACTURERS OF RADIO FREQUENCY ANTENNAS  
Hall Street, Lindenow, Victoria, Australia.  
Tel: (03) 5157 1203 Fax: (03) 5157 1641



Copyright - **G-Tech** Communication Services Pty. Ltd. No part of this Drawing is to be reproduced without Written Authority