

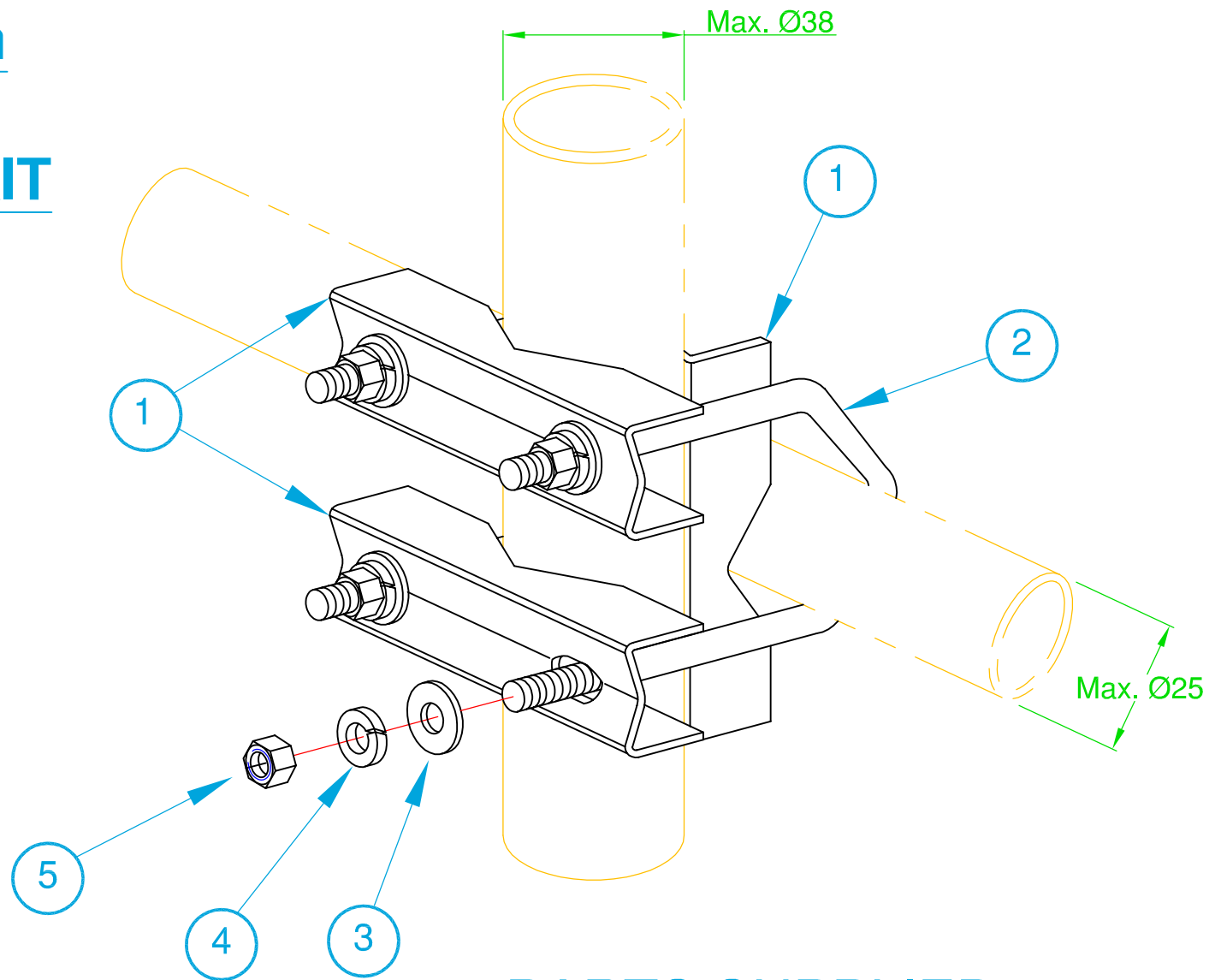
Assembly Sketch

UB1/SS CLAMP KIT

Stainless Steel

Note:

Tubes of the specified size range can swap their position.



PARTS SUPPLIED:

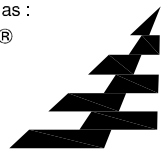
5	Nut, Hex, Galvanised	4
4	Washer, Spring, Stainless Steel Gr. 304	4
3	Washer, Flat, Stainless Steel Gr. 304	4
2	U-Bolt, M8 x 52 Gap x 88mm, Stainless Steel Gr. 304	2
1	Vee Block, Stainless Steel Gr. 304	3
Item	Description	Quantity

G-Tech Communication Services Pty. Ltd. Trading as :

ZCG SCALAR®

DESIGNERS AND MANUFACTURERS OF RADIO FREQUENCY ANTENNAS

Hall Street, Lindenow, Victoria, Australia.
Tel: (03) 5157 1203 Fax: (03) 5157 1641



Copyright - **G-Tech** Communication Services Pty. Ltd. No part of this Drawing is to be reproduced without Written Authority

1259-B.dwg LM 30-07-10

Approved: RG 03-08-10

Rev. 2. LM 23-06-15