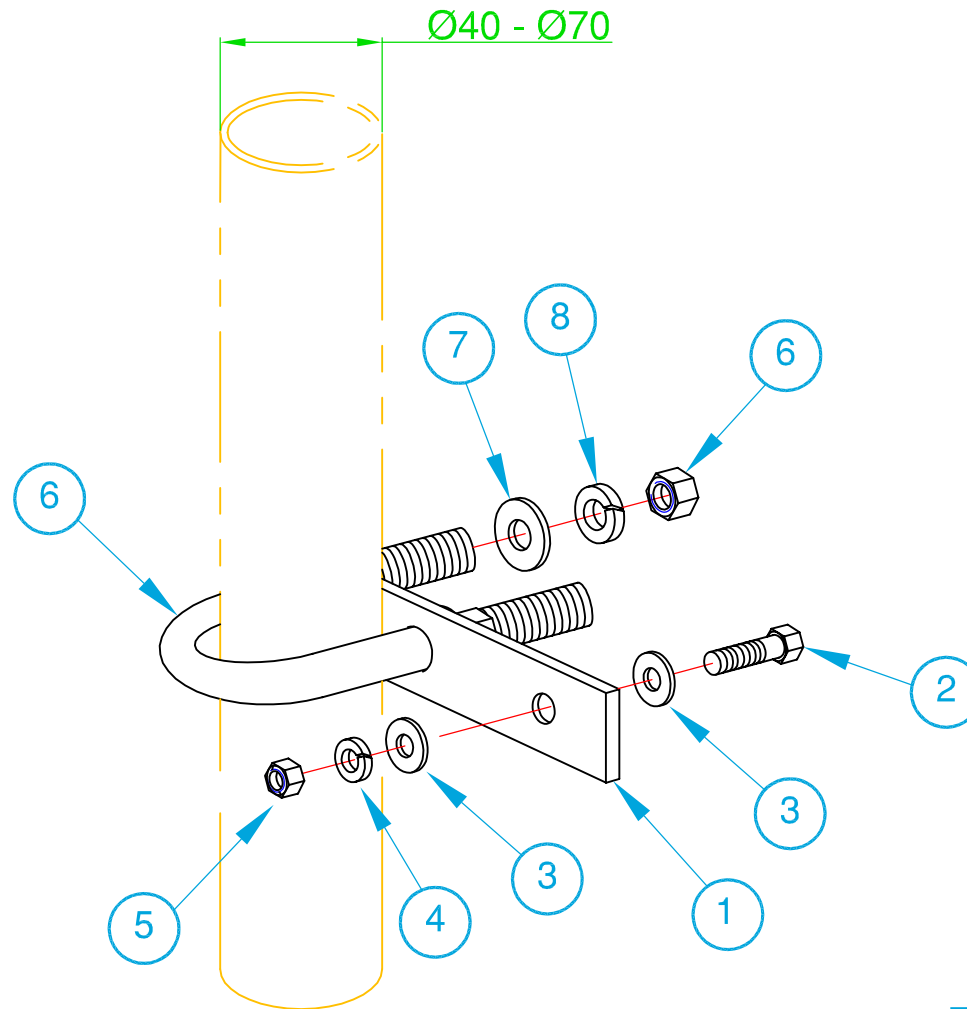


Assembly Sketch

UV3SS-L CLAMP KIT Stainless Steel

To suit Ø40 - Ø70 Mount Tube

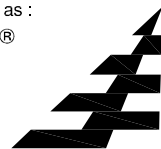


PARTS SUPPLIED:

8	Washer, Spring, M12, Stainless Steel	2
7	Washer, Flat, M12, Stainless Steel	2
6	U-Bolt, M12 x 76 Gap x 130, Stainless Steel, c/w Nuts	1
5	Nut, Hex, M8, Stainless Steel Gr. 316	1
4	Washer, Spring, M8, Stainless Steel	1
3	Washer, Flat, M8, Stainless Steel	2
2	Set Screw, Hex Hd, M8 x 40, Stainless Steel	1
1	Mount Plate, Stainless Steel	1
Item	Description	Quantity

G-Tech Communication Services Pty. Ltd. Trading as :
ZCG SCALAR[®]
DESIGNERS AND MANUFACTURERS OF RADIO FREQUENCY ANTENNAS

Hall Street, Lindenow, Victoria, Australia.
Tel: (03) 5157 1203 Fax: (03) 5157 1641



Copyright - **G-Tech** Communication Services Pty. Ltd. No part of
this Drawing is to be reproduced without Written Authority

1533-4-B.dwg LM 15-05-14

Approved: GK 15-05-14