

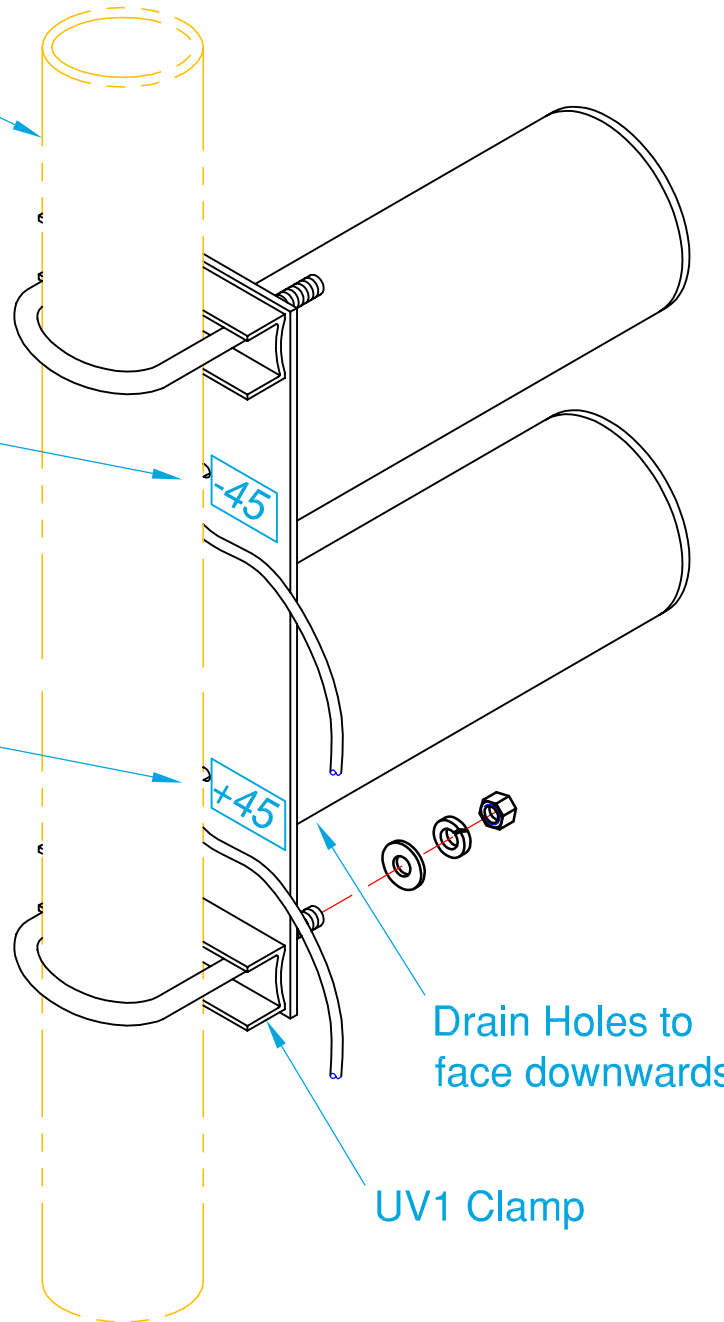
Ø50 Mount Tube
- not supplied

'-45' Label

'+45' Label

Drain Holes to
face downwards

UV1 Clamp



Installation Guide

Y1809-MIMO-2

G-Tech Communication Services Pty. Ltd. Trading as :

ZCG SCALAR[®]

DESIGNERS AND MANUFACTURERS OF RADIO FREQUENCY ANTENNAS

Hall Street, Lindenow, Victoria, Australia.
Tel: (03) 5157 1203 Fax: (03) 5157 1641

