

Assembly Sketches

Y202B YAGI ANTENNA - ALUMINIUM OR STAINLESS STEEL



DO NOT SCALE

Numbered **DIRECTORS** attached same way as Reflector.

DIPOLE:

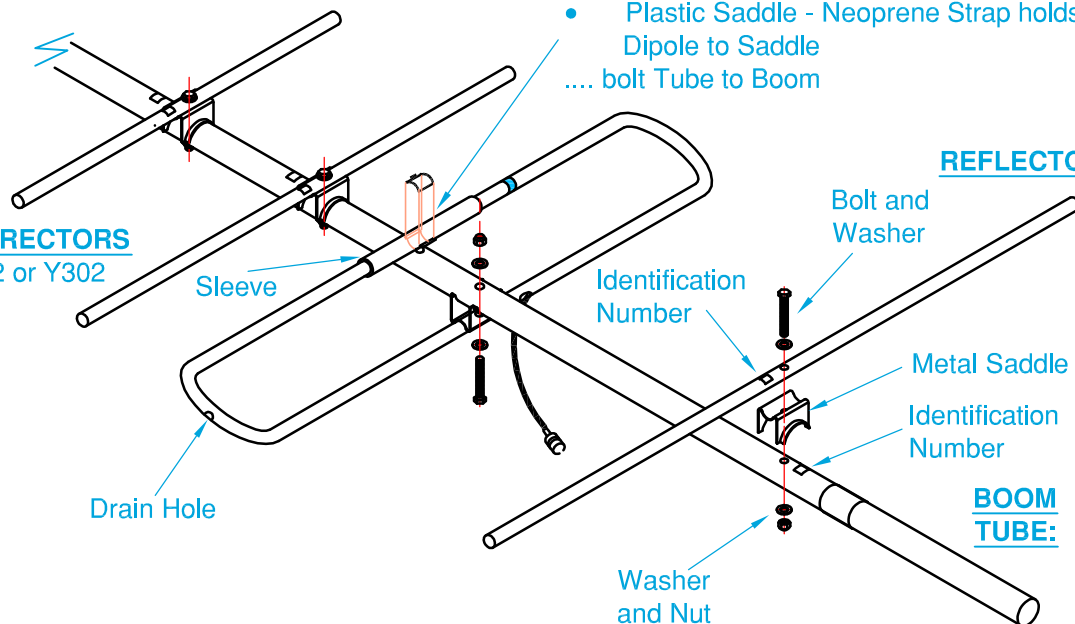
Sit Sleeve into

- Support Clip - Dipole clips into position
- OR**
- Plastic Saddle - Neoprene Strap holds Dipole to Saddle
- bolt Tube to Boom

REFLECTOR:

BOOM TUBE:

NOTE: No **DIRECTORS** used on Y202 or Y302 Yagis.



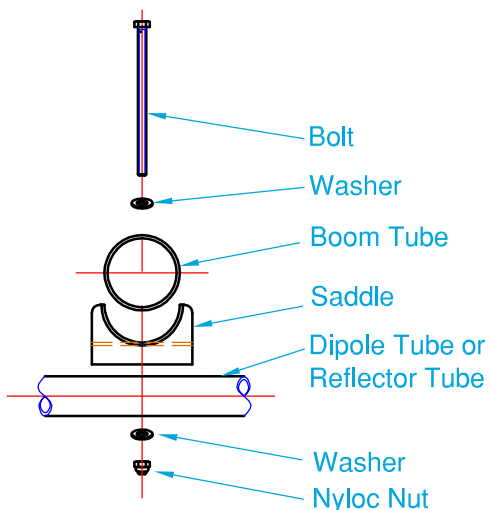
Installation Instructions:

1. Place Boom Tube through Dipole in the correct direction.
2. Fit Dipole to Boom Tube using Bolt and Washer through Dipole tube, Saddle, Washer and 'Nyloc' Nut.
3. Fit insulated side of Dipole into Support Clip (or into Plastic Saddle, using Elastic Strap provided).
4. Fit all other Element Tubes to Boom, matching corresponding Numbers on Element and Boom.
5. Strap Cable to Boom using Cable Ties or similar (not provided).
6. Mounting can be **HORIZONTAL** or **VERTICAL polarisation:**

For **VERTICAL polarisation**, make sure the **Drain Hole** is facing **downwards**.

For **HORIZONTAL polarisation**, mount the Yagi antenna with **Cable entry slot downwards**.

PRODUCT INFORMATION NOTE



Typical Assembly

Assembly Sketch

Y200 - Y300 Series YAGI ANTENNAS

G-Tech Communication Services Pty. Ltd. Trading as :
ZCG SCALAR[®]
 DESIGNERS AND MANUFACTURERS OF RADIO FREQUENCY ANTENNAS
 Hall Street, Lindenow, Victoria, Australia.
 Tel: (03) 5157 1203 Fax: (03) 5157 1641



COPYRIGHT - G-Tech COMMUNICATION SERVICES PTY.LTD. NO PART OF THIS DRAWING IS TO BE REPRODUCED WITHOUT WRITTEN PERMISSION.