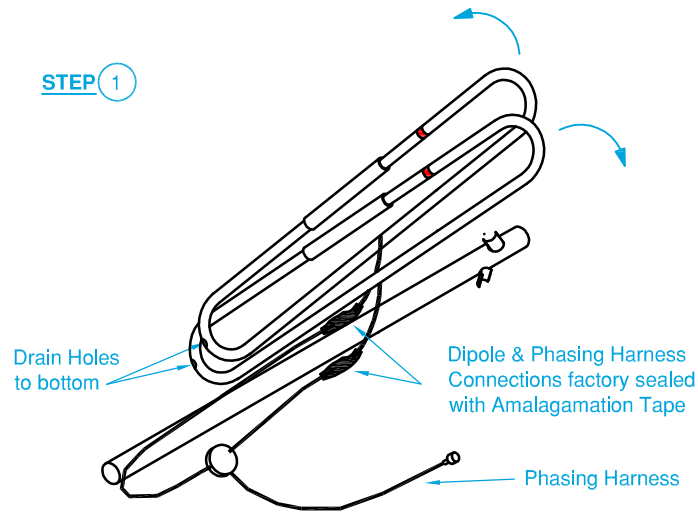


DO NOT SCALE

STEP 1



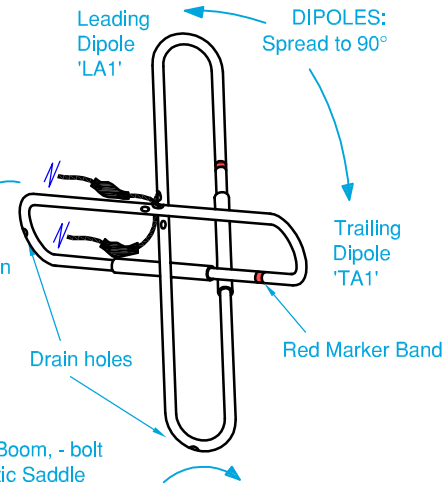
STEP 2

Second:

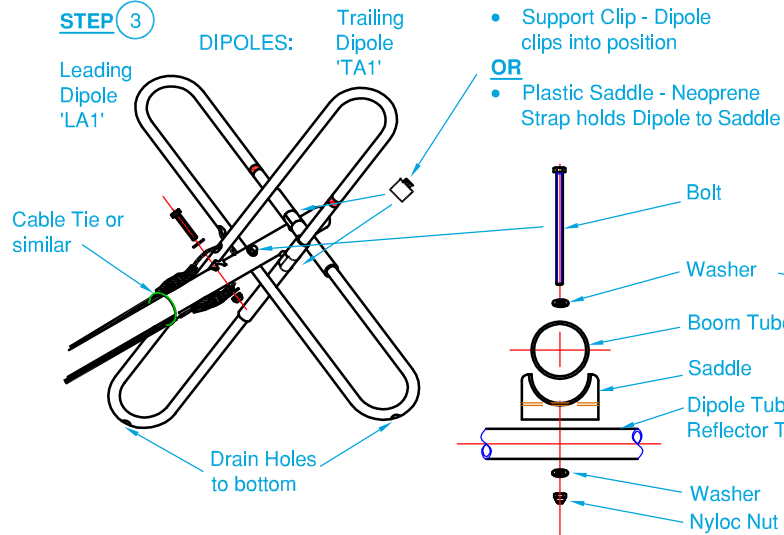
Twist to apply to Boom, - bolt in and clip to plastic Saddle after doing Dipole LA1

First:

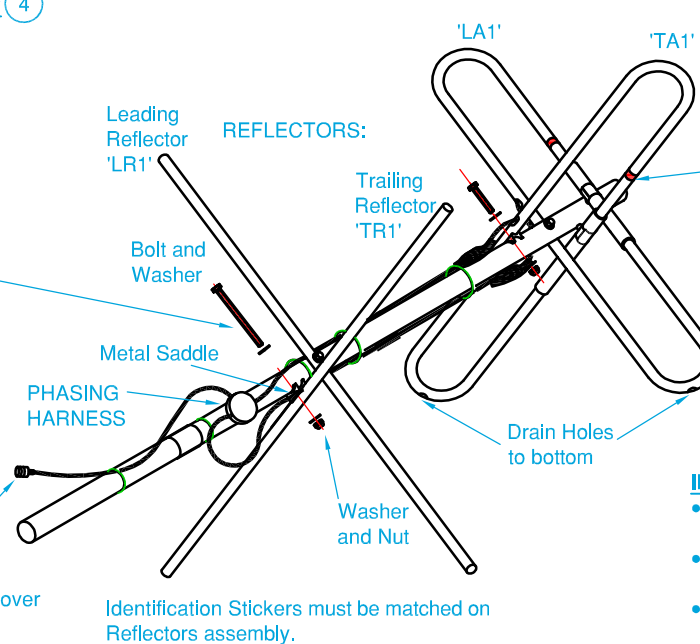
Twist to apply to Boom, - bolt in and clip to plastic Saddle



STEP 3



STEP 4



ASSEMBLY NOTES:

- Make sure that the inter-twined Dipoles are reassembled exactly as shown. Matching re-assembly Identification Stickers will ensure this.

On installation apply Amalgamation Tape over Connector joint

Identification Stickers must be matched on Reflectors assembly.

INSTALLATION NOTES:

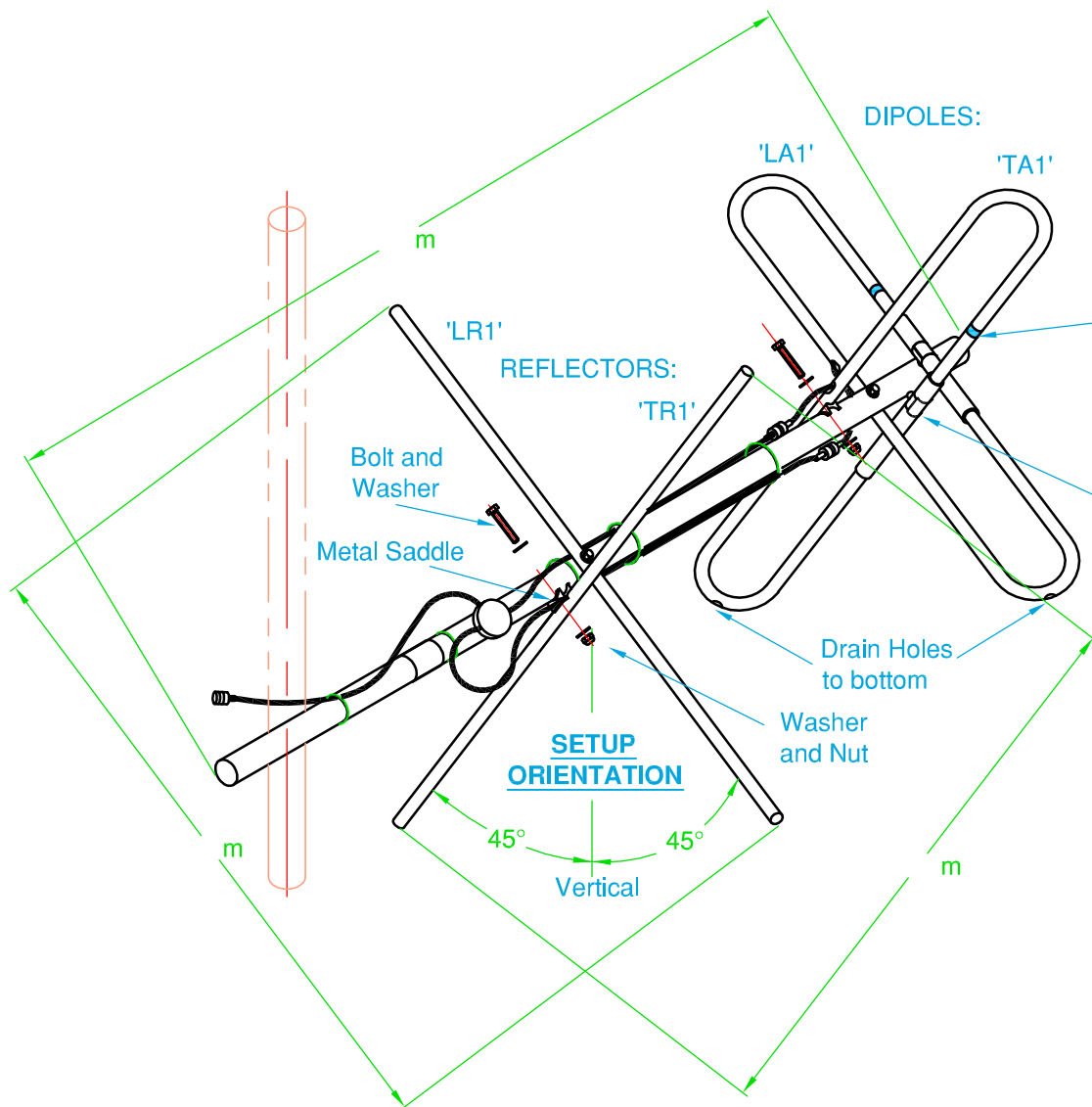
- Secure Cables & Phasing Harness with Cable Ties or similar.
- Mount Antennas with Red Marker Bands above Yagi Boom and drain holes below.
- Apply Amalgamation Tape to Feeder Cable & Phasing Harness Connector joint.

Assembly Sketches

Y200CP Series CROSS-POLARISED ANTENNAS



FREQUENCY: _____ MHz



Red Marker Bands must both be set above Boom

- Support Clip - Dipole clips into position **OR**
- Plastic Saddle - Neoprene Strap holds Dipole to Saddle

ASSEMBLY NOTES:

Make sure that the inter-twined Dipoles are reassembled exactly as shown. Matching reassembly Identification Stickers will ensure this.

Identification Stickers must be matched on Reflectors assembly.

Mount Antennas with Red Marker Bands above Yagi Boom.

Assembly Sketch

Y202CPSS CROSS-POLARISED ANTENNA

G-Tech Communication Services Pty. Ltd. Trading as :
ZCG SCALAR[®]
 DESIGNERS AND MANUFACTURERS OF RADIO FREQUENCY ANTENNAS
 Hall Street, Lindenow, Victoria, Australia.
 Tel: (03) 5157 1203 Fax: (03) 5157 1641



COPYRIGHT - **G-Tech** COMMUNICATION SERVICES PTY.LTD.
 NO PART OF THIS DRAWING IS TO BE REPRODUCED WITHOUT
 WRITTEN PERMISSION.