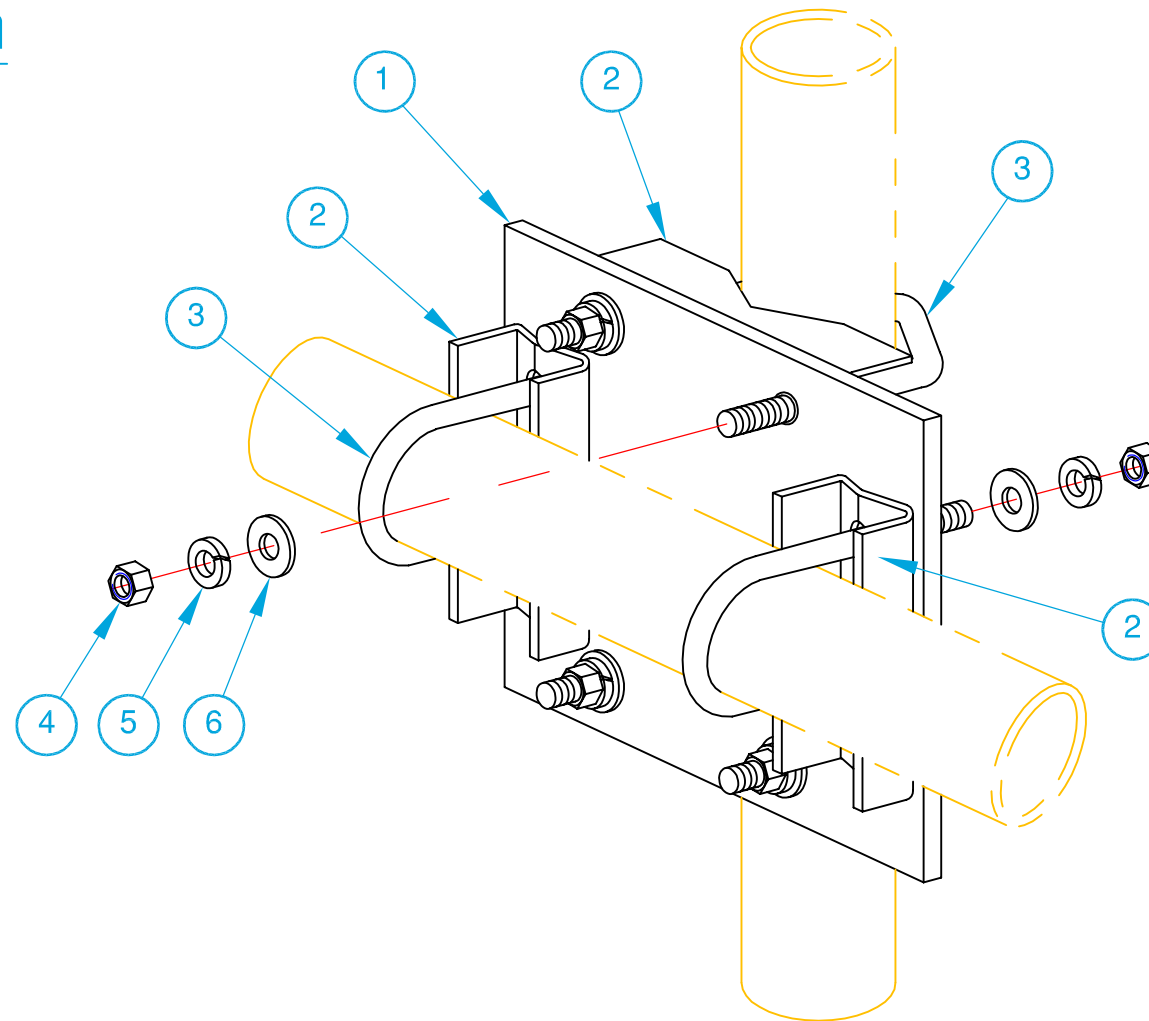


Assembly Sketch

Y2300SS CLAMP KIT

Stainless Steel



PARTS SUPPLIED:

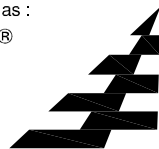
6	Washer, Flat, M8, Stainless Steel	8
5	Washer, Spring, M8, Stainless Steel	8
4	Nut, Hex, M8, Galvanised	8
3	U-Bolt, M8 x 52 Gap x 88, Stainless Steel Gr. 304	4
2	Vee Block, Stainless Steel	4
1	Clamp Plate, Stainless Steel	1
Item	Description	Quantity

G-Tech Communication Services Pty. Ltd. Trading as :

ZCG SCALAR[®]

DESIGNERS AND MANUFACTURERS OF RADIO FREQUENCY ANTENNAS

Hall Street, Lindenow, Victoria, Australia.
Tel: (03) 5157 1203 Fax: (03) 5157 1641



Copyright - **G-Tech** Communication Services Pty. Ltd. No part of
this Drawing is to be reproduced without Written Authority

1221-B.dwg LM 03-08-10

Approved: RG 03-08-10

Rev. 2. LM 09-06-15