

- 2-way Strut Kit includes:**
- 2 - SRF1.5 Fibreglass Strut
 - 1 - SB-20 Clamp Kit
 - 2 - UV1 Clamp Kit
 - 1 - Y2300 Clamp Kit
 - 1 - Support Boom, Aluminium x 800mm

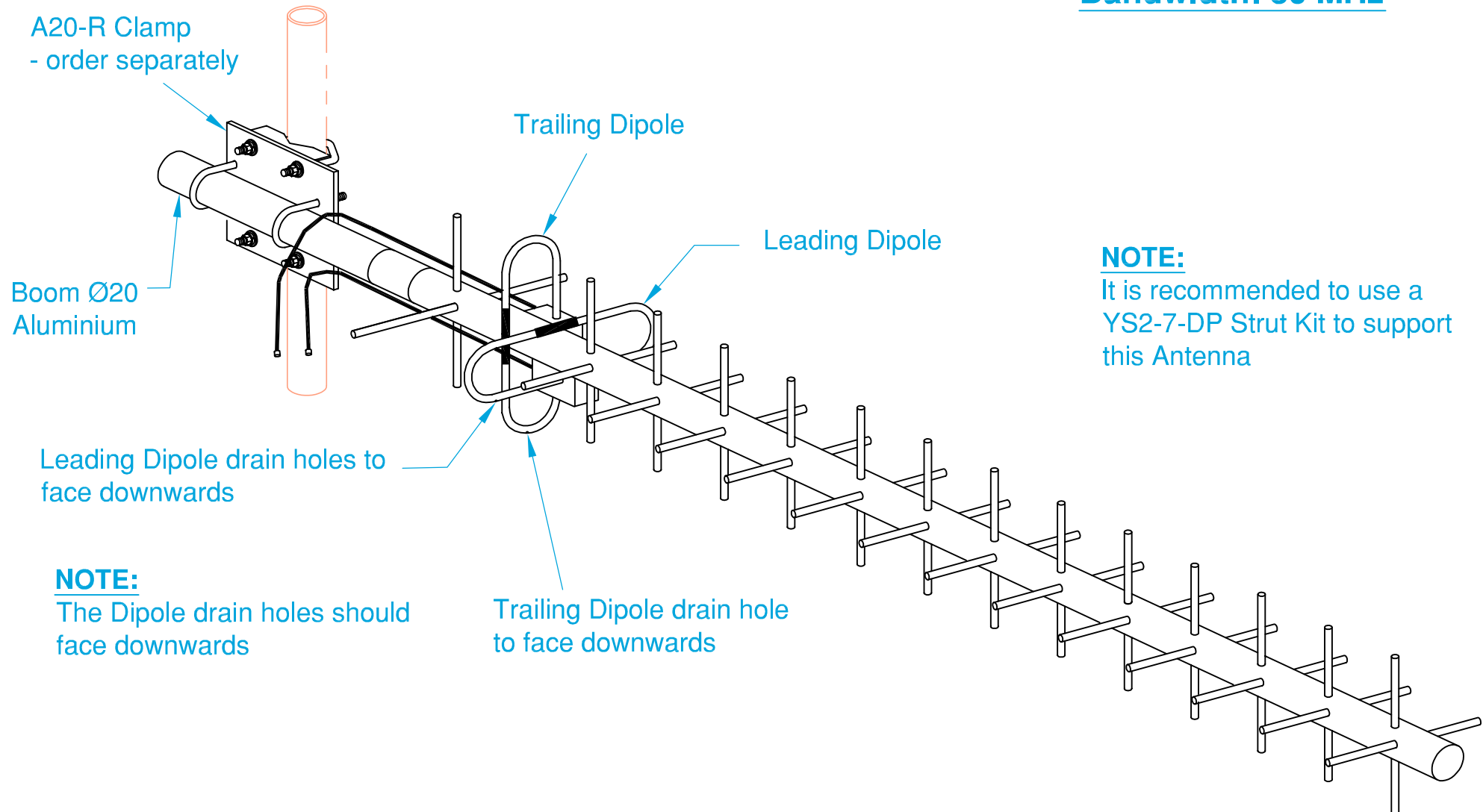
Assembly Sketch

YS2-7-DP
2-way Strut Kit
for Y715-DP-R Dual Pole Yagi
with Ø20 Boom

G-Tech Communication Services Pty. Ltd. Trading as :
ZCG SCALAR®
 DESIGNERS AND MANUFACTURERS OF RADIO FREQUENCY ANTENNAS
 Hall Street, Lindenow, Victoria, Australia.
 Tel: (03) 5157 1203 Fax: (03) 5157 1641



Frequency: 757 - 960 MHz
Bandwidth: 30 MHz



NOTE:
It is recommended to use a YS2-7-DP Strut Kit to support this Antenna

NOTE:
The Dipole drain holes should face downwards

Installation Guide

Y715-DP-R
Dual Pole Yagi
Aluminium

G-Tech Communication Services Pty. Ltd. Trading as :
ZCG SCALAR®
DESIGNERS AND MANUFACTURERS OF RADIO FREQUENCY ANTENNAS
Hall Street, Lindenow, Victoria, Australia.
Tel: (03) 5157 1203 Fax: (03) 5157 1641

