



ZCG-EEH-L01FC

Low profile 4G LTE, 4G, 3G and WiFi fixed cable antenna

698-960MHz &
1710-2690MHz
2.1dBi

- Simple installation via the threaded mounting section
- IP67 rated within an ABS radome
- 1.0 metre RG58 exits the threaded base
- Gold plated SMA male fitted to cable with red heatshrink identification band.

INSTALLATION GUIDE

www.zcg.com.au

ANTENNA DESCRIPTION

The ZCG-EEH-L01FC fixed cable low profile antenna is suitable for both vehicle or fixed position mounting for a wide range of applications:

- Mobile phone reception improvement
- Wireless data transfer
- Machine-to-machine (M2M)
- Internet of things (IoT)
- Telemetry applications

The ZCG-EEH-L01FC comes standard with 2.0m RG58 exiting the the mounting thread of the antenna with a FME female fitted as standard.

The antenna delivers 2.1dBi gain.

The ZCG-EEH-L01FC is encased in a ASA radome to IP67 rating, suitable for harsh environments in either a fixed position or vehicle mounted applications.

A detailed specification sheet is available to download from www.zcg.com.au

TUNING

The antenna has been factory tuned to the 4G LTE, 4G, 3G and WiFi 698-960 MHz and 1710-2690 MHz mobile phone networks.

VSWR has been optimised to better than 2.7:1 across the bandwidth specified.

This tuning cannot be altered.

SELECTING THE MOUNTING POSITION

No metal ground plane is necessary for the antenna to operate effectively.

Typical mounting positions for this antenna are on a structure, a vehicles bull bar, the boot of a sedan or a truck mirror using the appropriate bracket with a minimum 16mm diameter hole.

To achieve best performance from your antenna, these are the important principles you should consider when selecting the mounting point :

1. **Mount the antenna in as high a place as possible.**
2. **Mount the antenna as far away from other antennas and metallic objects as possible to avoid distortion of the 360° omni-directional pattern and interference. At least 350mm side clearance is desirable, preferably more.**
3. **Mount the antenna vertical, not at an angle.**

INSTALLATION GUIDE

Remove the nut and washer from the threaded base and cable, leaving the rubber gasket on the antenna. Pass the connector and cable through the hole of your mounting bracket or mounting hole, ensure the rubber gasket sits flush with the mounting surface.

Thread the washer and then the nut back up the cable and onto the threaded base, ensure the nut is tight enough to secure the antenna onto your surface with no movement.

Ensure the rubber gasket is sitting flush and water-sealing against your mounting surface.

Route your cable carefully to your device. Ensure that the cable is not stretched excessively and there are no sharp kinks. Avoid high heat areas, high interference areas or areas with moving parts.

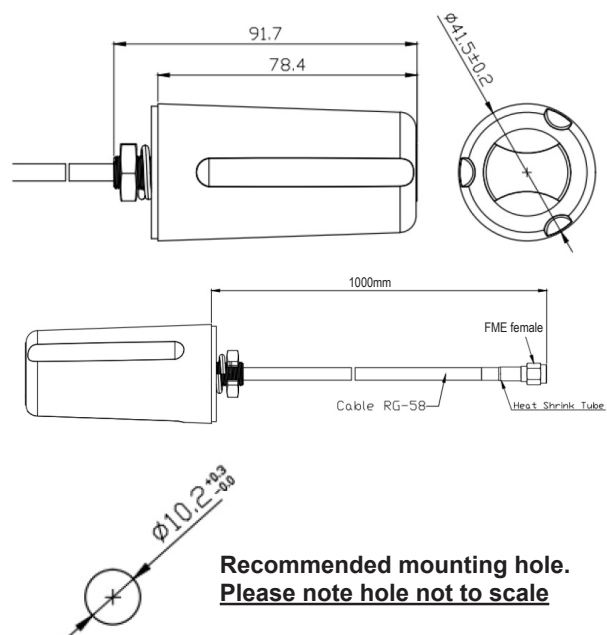
IMPORTANT : Leave some slack in the cable at the point where the cable exits the antenna so as not to place unnecessary tension on the cable and antenna connection.

Use cable ties, but do not pull so tight as to crush the cable. A damaged feeder cable is a cause of high VSWR and reduced performance.

Connect your cable to your device, power up the system and check the performance. If any issues, immediately power down system and check all points of your system.

The maximum input power rating is 5 Watts.

Installation is now complete.



**Recommended mounting hole.
Please note hole not to scale**