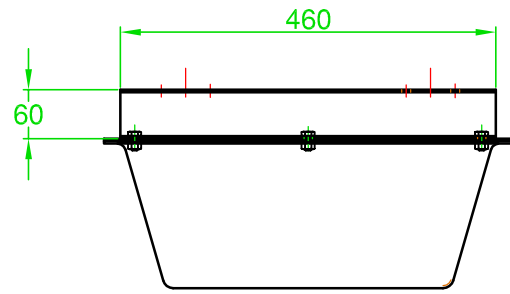


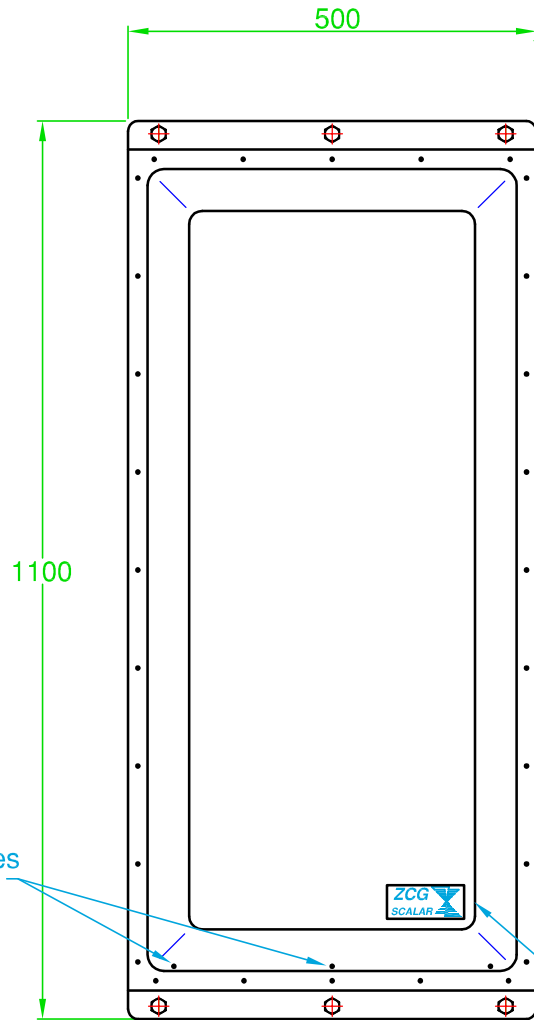
DO NOT SCALE



COPYRIGHT - G-Tech COMMUNICATION SERVICES PTY.LTD.  
 NO PART OF THIS DRAWING IS TO BE REPRODUCED WITHOUT  
 WRITTEN PERMISSION.

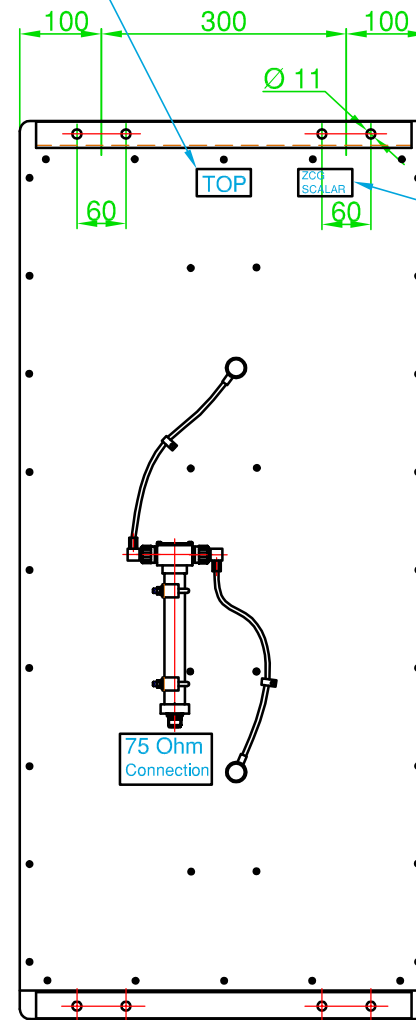
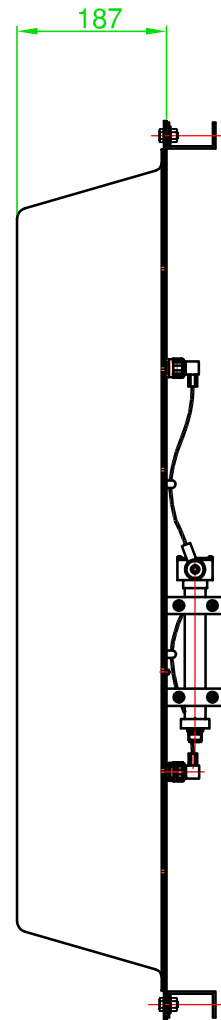


Antenna must be  
 mounted this way up.



Drain holes

This Label to bottom right  
 hand corner when mounted.



ZCG SCALAR  
 Model Number And  
 Information Label

**NOTE:**  
 See second drawing sheet  
 for mounting options.

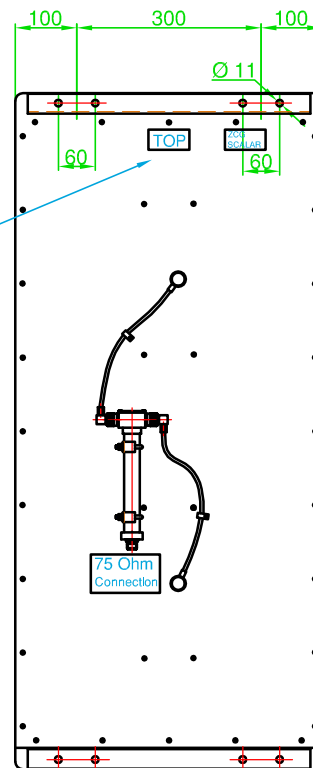
DO NOT SCALE

Maximum Dia. 51mm  
for UV1-SS Clamps

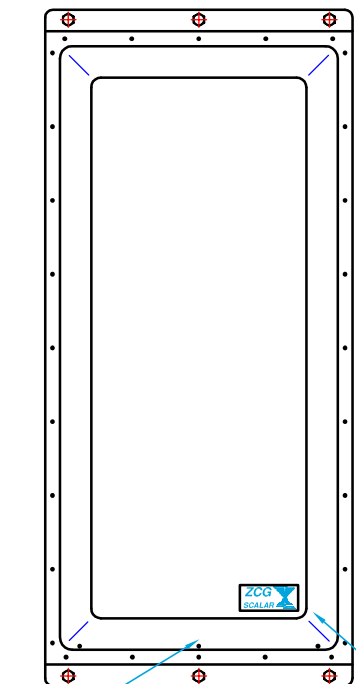
NOTE:  
Support Masts / Pipes Not Supplied

ZUHP Antenna  
Assembly (with Power  
Divider included)

UV1-SS Clamp Kit



Antenna must be  
mounted this way up.

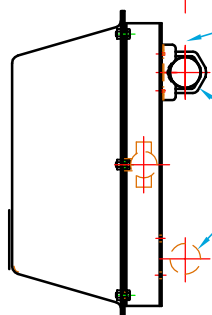


Drain holes

This Label to bottom right  
hand corner when mounted.

Drain holes

UV1-SS Clamp Kit



UV1-SS Clamp Kit

ALTERNATIVE mounting  
pole locations (NOT BOTH).

Antenna may also be bolted  
to Tower frame on top or  
bottom channel sections.

G-Tech Communication Services Pty. Ltd. Trading as :  
**ZCG SCALAR**®  
 DESIGNERS AND MANUFACTURERS OF RADIO FREQUENCY ANTENNAS  
 Hall Street, Lindenow, Victoria, Australia.  
 Tel: (03) 5157 1203 Fax: (03) 5157 1641



COPYRIGHT - G-Tech COMMUNICATION SERVICES PTY.LTD.  
NO PART OF THIS DRAWING IS TO BE REPRODUCED WITHOUT  
WRITTEN PERMISSION.

## Assembly Sketch ZUHP-75 PANEL ANTENNA ARRAY