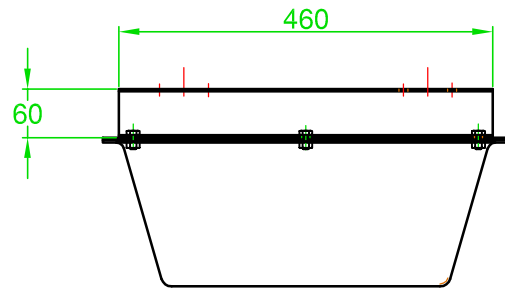


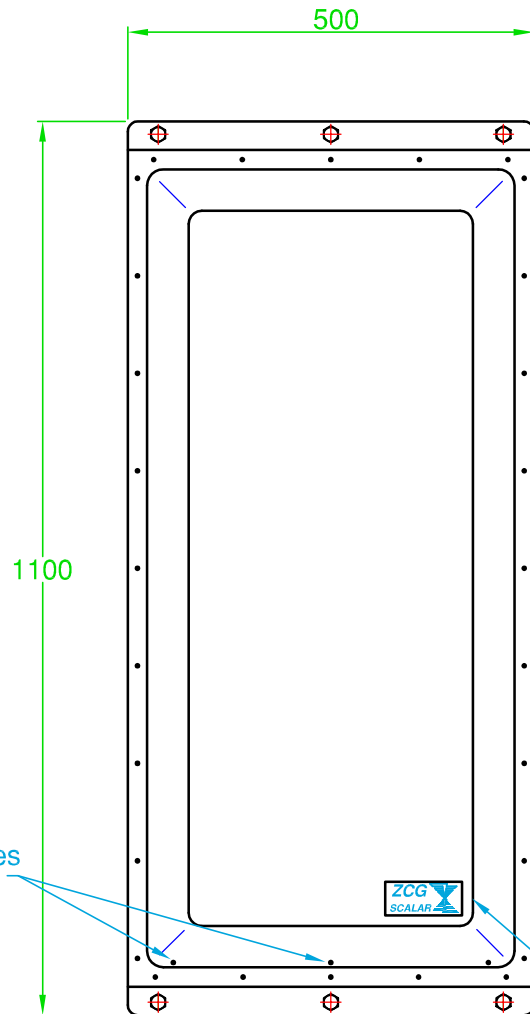
DO NOT SCALE



COPYRIGHT - G-Tech COMMUNICATION SERVICES PTY.LTD.
 NO PART OF THIS DRAWING IS TO BE REPRODUCED WITHOUT
 WRITTEN PERMISSION.

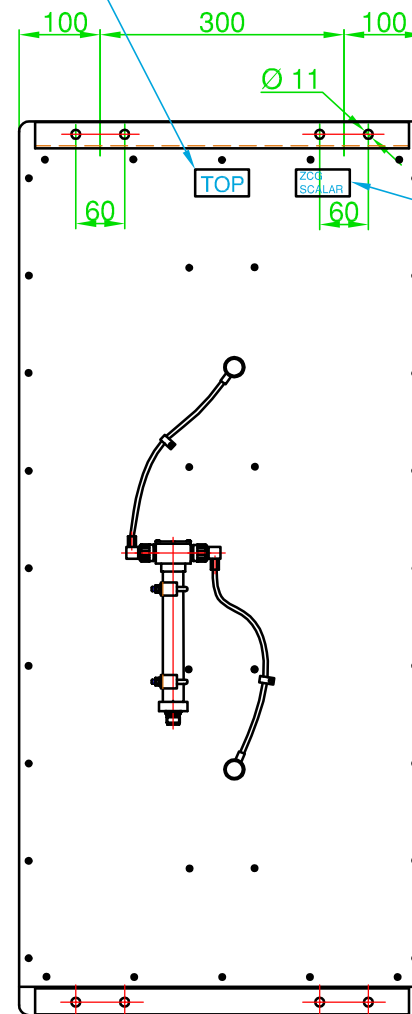
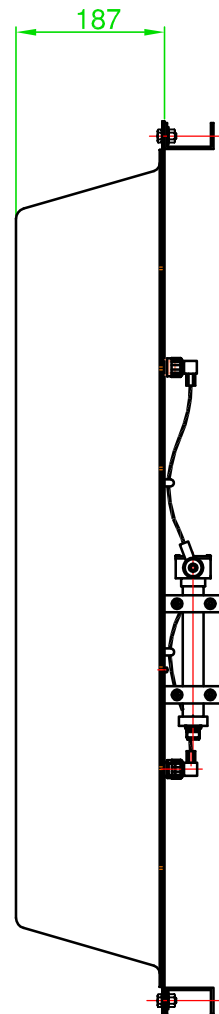


Antenna must be mounted this way up.



Drain holes

This Label to bottom right hand corner when mounted.



ZCG SCALAR
 Model Number And
 Information Label

NOTE:
 See second drawing sheet
 for mounting options.

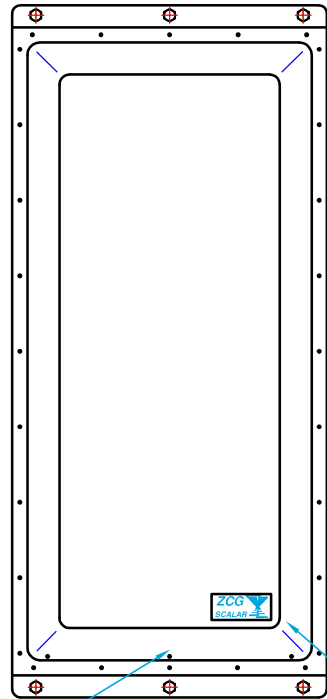
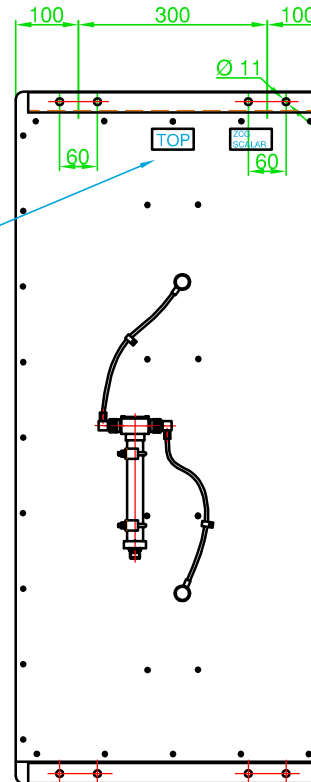
DO NOT SCALE

Maximum Dia. 51mm
for UV1-SS Clamps

NOTE:
Support Masts / Pipes Not Supplied

UV1-SS Clamp Kit

ZUHP Antenna
Assembly (with Power
Divider included)



This Label to bottom right
hand corner when mounted.

Drain holes

Antenna must be
mounted this way up.

UV1-SS Clamp Kit

UV1-SS Clamp Kit

ALTERNATIVE mounting
pole locations (NOT BOTH).

Antenna may also be bolted
to Tower frame on top or
bottom channel sections.

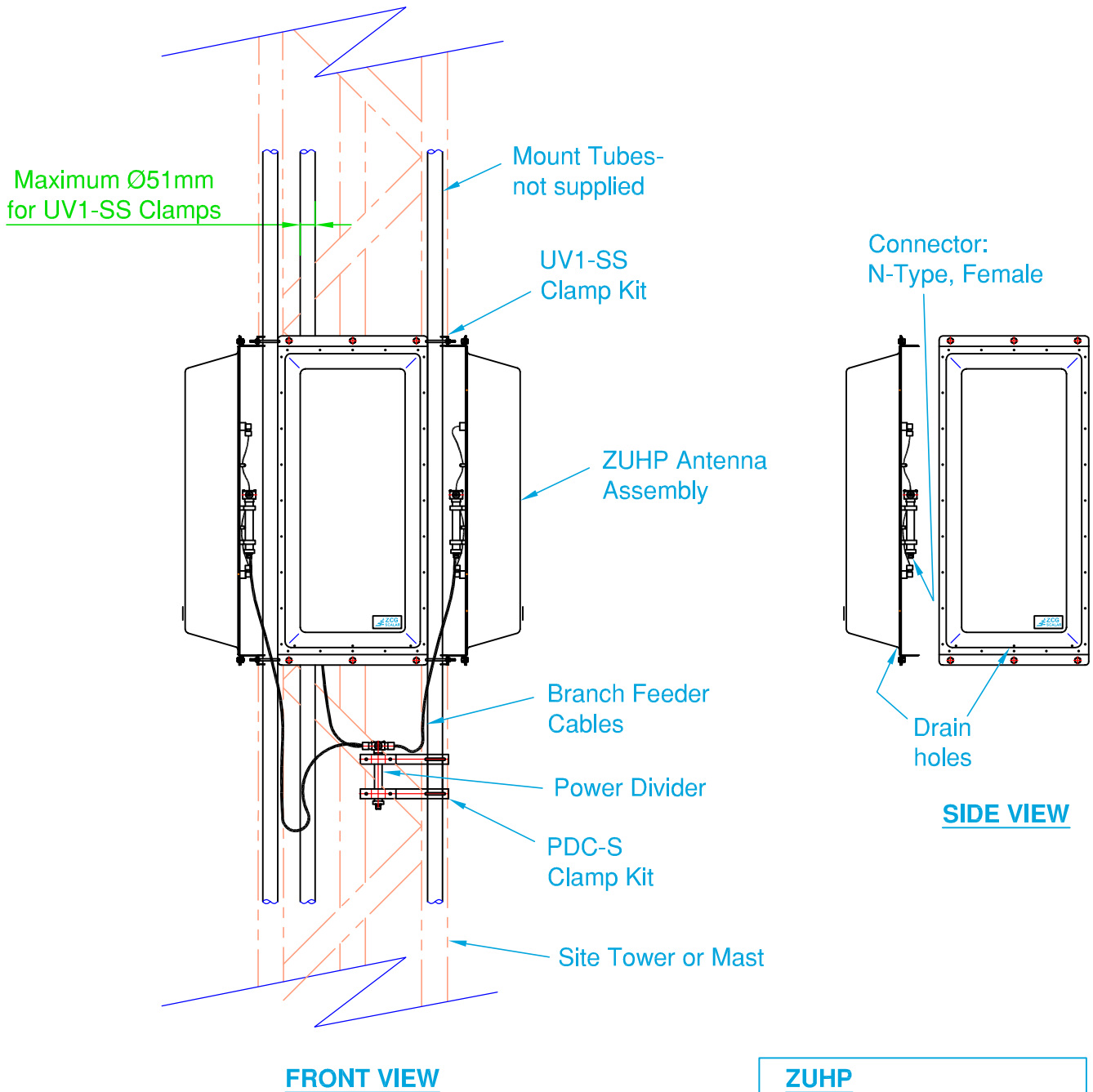
G-Tech Communication Services Pty. Ltd. Trading as :
ZCG SCALAR[®]
DESIGNERS AND MANUFACTURERS OF RADIO FREQUENCY ANTENNAS

Hall Street, Lindenow, Victoria, Australia.
Tel: (03) 5157 1203 Fax: (03) 5157 1641

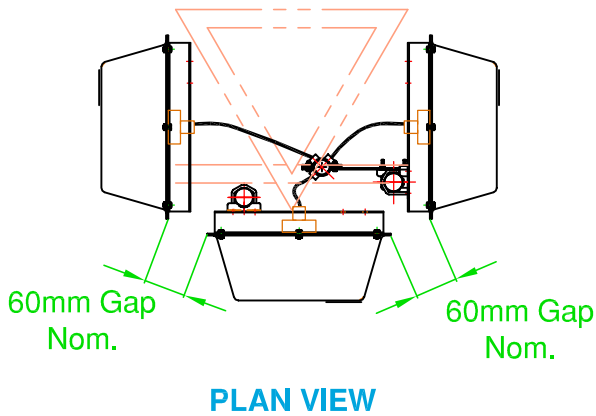


COPYRIGHT - G-Tech COMMUNICATION SERVICES PTY.LTD.
NO PART OF THIS DRAWING IS TO BE REPRODUCED WITHOUT
WRITTEN PERMISSION.

Assembly Sketch ZUHP PANEL ANTENNA ARRAY



- ZUHP**
- Horizontal Polarisation
 - N-Type, Female



Assembly Sketch

**ZUHP ANTENNA
1 BAY, 3-PANEL 180° ARRAY**

G-Tech Communication Services Pty. Ltd. Trading as:
ZCG SCALAR
 DESIGNERS AND MANUFACTURERS OF RADIO FREQUENCY ANTENNAS
 1st Street, Underwood, Victoria, Australia.
 Tel: (03) 5157 1203 Fax: (03) 5157 1641



DO NOT SCALE

NOTE:

Support Masts / Pipes Not Supplied

Maximum Dia. 51mm for UV1-SS Clamps

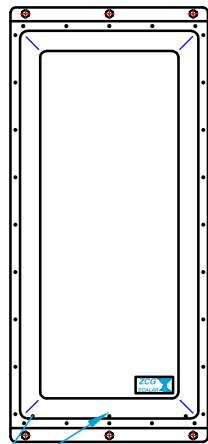
UV1-SS Clamp Kit

UV1-SS Clamp Kit

G-Tech Communication Services Pty. Ltd. Trading as :
ZCG SCALAR[®]
 DESIGNERS AND MANUFACTURERS OF RADIO FREQUENCY ANTENNAS
 Hall Street, Lindenow, Victoria, Australia.
 Tel: (03) 5157 1203 Fax: (03) 5157 1641



COPYRIGHT - G-Tech COMMUNICATION SERVICES PTY.LTD.
 NO PART OF THIS DRAWING IS TO BE REPRODUCED WITHOUT
 WRITTEN PERMISSION.



Drain holes

Drain hole
UV1-SS Clamp Kit

PD2NN3 Power Divider

PDC-S Clamp Kits

UV1-SS Clamp Kit

50 mm between Base Plates

ZUHP Antenna Assembly
(with Power Divider included)

3 x 3 metre $\frac{1}{2}$ "
Super-flexible
Branch Feeder Cables

450 Minimum

300 Between Mounting Poles / Masts

Assembly Sketch ZUHP PANEL ANTENNA ARRAY