

RA4-P

Solid Panel 90 degree configured corner reflector antenna

UHF 400-520 MHz

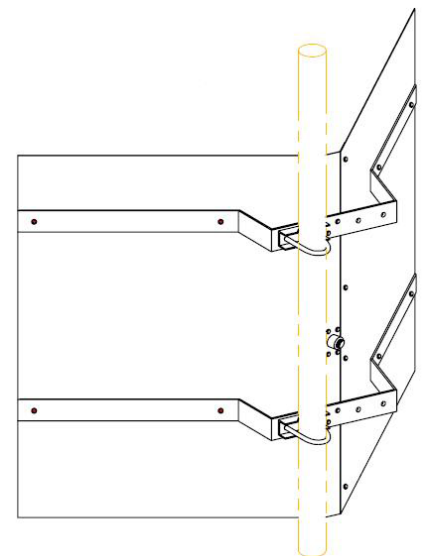
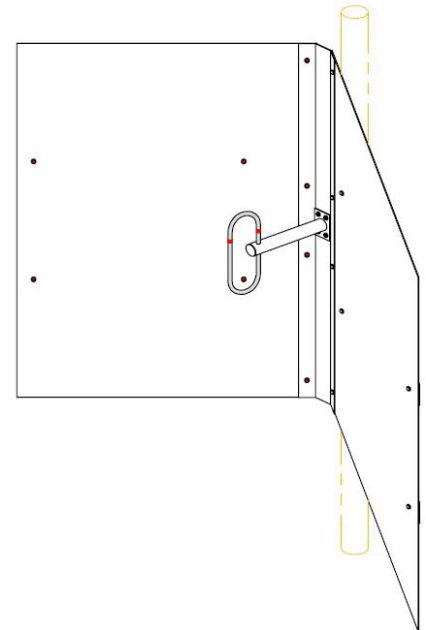


The RA4-P solid screen corner reflector is ideal when you require good gain together with a high front-to-back ratio. The RA4-P is simple to assemble with the dipole mounting position clearly indicated with a red adhesive band.

The solid rear screen has a higher Front-to-Back ratio than an open grid design corner reflector, this solid screen brings a higher wind loading, which may require additional wind support bracing.

Filters, coaxial feeder cable, lightning protection and other installation accessories are all available separately.

Construction	Aluminium solid panel and antenna
Frequency range	400-520 MHz - UHF, TETRA, GRN and LMR compatible
Bandwidth	Any 20 MHz within frequency range - specify on order
VSWR	<1.5:1 across specified bandwidth
Tuning	Factory
Gain	10 dBd
Maximum power	500 Watts
Impedance - nominal	50 Ohms
DC grounding	Yes
Polarisation	Mount Horizontal or Vertical as required
H Plane	47°
E Plane	53°
Front-to-back	40 dB
Connector	N-type female in rear of dipole, no cable
Dimensions	846mm x 715mm per side 1110mm x 846mm x 600mm - overall profile from front
Weight	8kg
Projected area	1.2m ² - at 410 MHz
Wind load at 200kph	2.3kN, 239kg
Mouting hardware supplied	2 x 20-50mm capability U-bolts
Mounting position recommended	Mount as high on your mast, tower or structure as possible using the supplied mounting hardware. Ensure no obstructions in face of rear screen.
Installation tools required	10mm and 13mm spanners ; Amalgamation tape and uPVC tape - connector sealing





RA4-P

Solid Panel 90 degree configured corner reflector antenna

UHF 400-520 MHz



Suitable feeder coaxial cable and connectors



SKU: 7800
MIL-SPEC RG213 stranded copper conductor coaxial cable

Available in 100m or 300m rolls or alternatively request a custom cable assembly



SKU: NM-7937
N-type male crimp connector for MIL-SPEC RG213

Tri-metal plated - Low P.I.M.



SKU: 7808
RG214/U stranded conductor, double braided coaxial cable

Available in 100m or 300m rolls or alternatively request a custom cable assembly



SKU: NM-7937-2
N-type male crimp connector for RG214, double braid shielded coaxial cable

Tri-metal plated




SKU: 7890
RU400 low loss, solid copper core, foam dielectric cable

SKU: 7890-2 RU400-UF Ultra flex.
Available in 100m, 300m or 500m (UF only) roll or alternatively request a custom cable assembly




SKU: NM-8226
N-type male solder pin crimp connector for RU400 / RU400-UF coaxial cable

Tri-metal plated - Low P.I.M.



SKU: 7890-3
RU600 low loss, solid copper core, foam dielectric cable

Available in 500m roll or alternatively request a custom cable assembly



SKU: NM-8226-2
N-type male solder pin crimp connector for RU600 coaxial cable

Tri-metal plated - Low P.I.M.



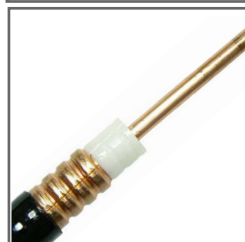
SKU: ZCG1250SF
1/2" helical shielded, foam dielectric coaxial cable

Available in per metre, or 500m rolls or alternatively request a custom cable assembly



SKU: NM1250SF
N-type male clamp connector for 1/2" super flexible, helical shielded, foam dielectric coaxial cable

Tri-metal plated



SKU: ZCG1250
1/2" corrugated shielding, foam dielectric coaxial cable

Air dielectric. SKU: ZCG1250-A
Available in per metre (excl. Air) or 500m rolls or alternatively request a custom cable assembly



SKU: NM1250
N-type male clamp connector for 1/2" flexible, corrugated shielded, coaxial cable

Tri-metal plated - Low P.I.M.