



## Y200B series

### FM Radio broadcast medium to high powered Yagi's

### FM Radio 87.5-108 MHz



The Y200B series of Yagi antenna are specifically designed and manufactured for directional FM radio broadcast, receive or re-broadcast applications.

Mounting hardware, coaxial feeder cable, connectors and other installation accessories are all available separately.

	Y202B	Y203B	Y204B	Y206B	
Construction	Anodised aluminium or add <b>SS</b> for 304 grade stainless steel Higher powered 1kW capable models available, add -HP				
Frequency range	87.5-108 MHz - FM Radio				
Bandwidth	Specify any 4 MHz when ordering				
Tuning	Factory				
VSWR	<1.2:1 across specified bandwidth				
Number of elements	2	3	4	6	
Gain - nominal	3 dBd	6 dBd	7.5 dBd	9 dBd	
Polarisation	Mount horizontal or vertical as required				
Maximum power	250 Watts - 1kW capable models available				
Impedance	50 Ohms				
H Plane - at 3dBd	135°	93°	74°	58°	
E Plane - at 3dBd	68°	61°	54°	39°	
Front-to-back ratio	15 dB	14 dB	14 dB	16 dB	
Connector	N-type female fitted as standard / -HP models has 7/16" DIN female				
Cable	1.4 metres RG213/ -HP models utilised 1/2" super flex. helical, all rear exit from dipole assembly				
Boom length - at 87.5 MHz	1.2 metres	1.7 metres	2.5 metres	3.4 metres	
Weight	Aluminium	3.2kg	4.0kg	5.5kg	7.0kg
	Stainless steel	4.0kg	5.0kg	6.9kg	8.8kg
Projected area	0.097m <sup>2</sup>	0.128m <sup>2</sup>	0.165m <sup>2</sup>	0.365m <sup>2</sup>	
Wind load at 160kph	0.115kN ; 11.728kg	0.152kN ; 15.554kg	0.196kN ; 20.043kg	0.271kN ; 27.656kg	
Strut kit - <u>recommended</u>	YS1-23 - single tension or YS2-23 - dual tension - order separate				
Mounting hardware order separate	Aluminium: 1 x Y2300 + strut kit Stainless steel: 1 x Y2300-SS + strut kit				
Installation tools required	2 x 10mm spanner for element/dipole mounting				
Warranty	2 Years				



N-type female fitted to cable as standard or specify requirements

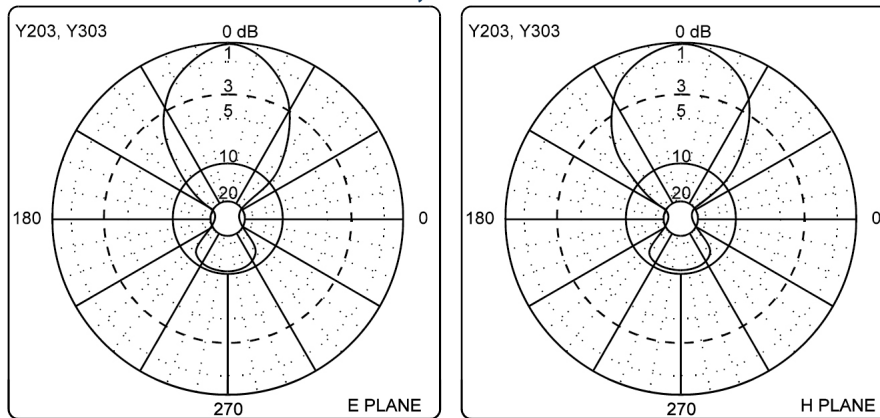


# Y200B series

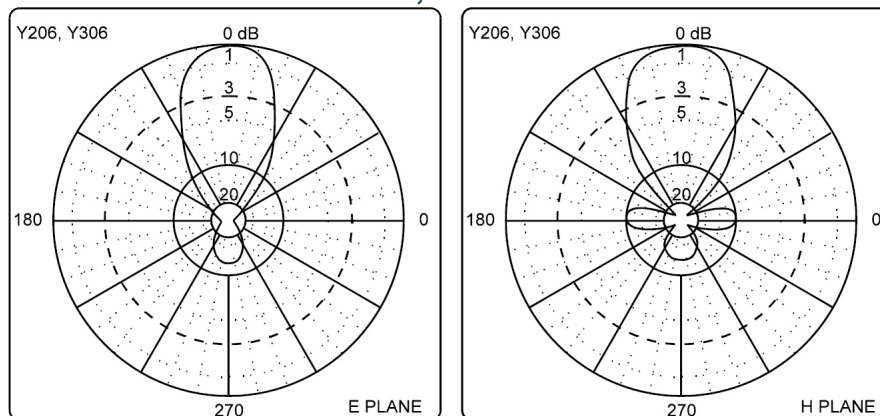
FM Radio broadcast medium to high powered Yagi's  
FM Radio 87.5-108 MHz



## Y203B, 3 Element



## Y206B, 6 Element



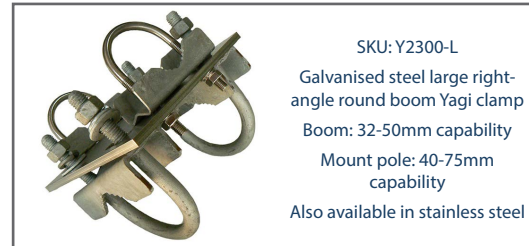


## Y200B series

FM Radio broadcast medium to high powered Yagi's  
FM Radio 87.5-108 MHz



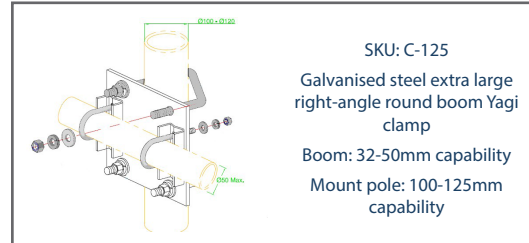
SKU: Y2300  
Galvanised steel right-angle round boom Yagi clamp  
Boom: 30-50mm capability  
Mount pole: 30-50mm capability  
Also available in stainless steel



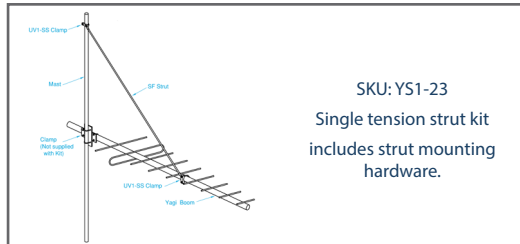
SKU: Y2300-L  
Galvanised steel large right-angle round boom Yagi clamp  
Boom: 32-50mm capability  
Mount pole: 40-75mm capability  
Also available in stainless steel



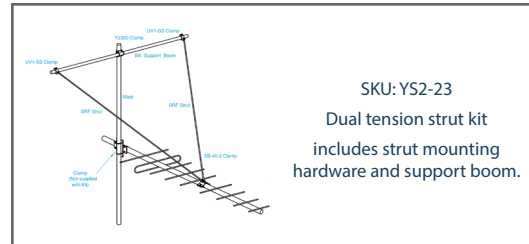
SKU: Y2300-XL  
Galvanised steel extra large right-angle round boom Yagi clamp  
Boom: 32-50mm capability  
Mount pole: 50-90mm capability  
Also available in stainless steel



SKU: C-125  
Galvanised steel extra large right-angle round boom Yagi clamp  
Boom: 32-50mm capability  
Mount pole: 100-125mm capability

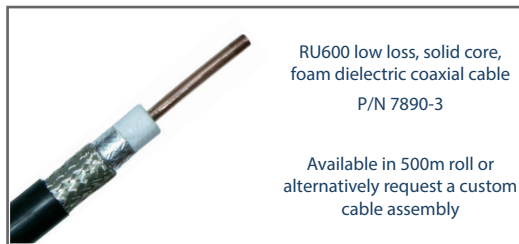


SKU: YS1-23  
Single tension strut kit includes strut mounting hardware.



SKU: YS2-23  
Dual tension strut kit includes strut mounting hardware and support boom.

### Suitable feeder coaxial cable and connectors



RU600 low loss, solid core, foam dielectric coaxial cable  
P/N 7890-3

Available in 500m roll or alternatively request a custom cable assembly



N-type male clamp connector for 1/2" super flexible, helical shielded coaxial cable

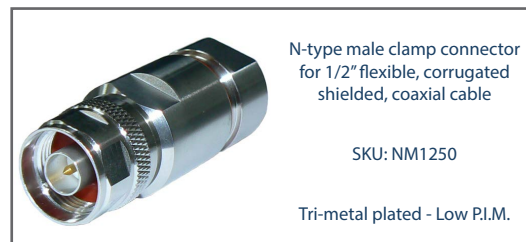
SKU: 8226-3

Tri-metal plated



1/2" corrugated shielding, foam dielectric coaxial cable  
P/N ZCG1250

Air dielectric. SKU: ZCG1250-A  
Helical super flex. SKU: ZCG1250SF  
Available in per metre or 500m rolls or alternatively request a custom cable assembly



N-type male clamp connector for 1/2" flexible, corrugated shielded, coaxial cable

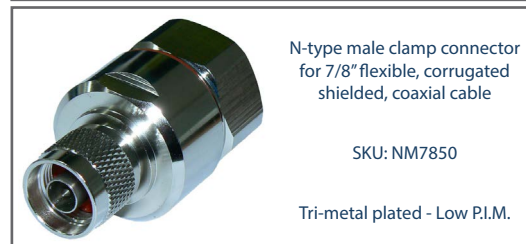
SKU: NM1250

Tri-metal plated - Low P.I.M.



7/8" corrugated shielding, foam dielectric coaxial cable  
P/N ZCG7850

Air dielectric. SKU: ZCG7850-A  
Available in per metre or 500m rolls or alternatively request a custom cable assembly



N-type male clamp connector for 7/8" flexible, corrugated shielded, coaxial cable

SKU: NM7850

Tri-metal plated - Low P.I.M.



## Y200B series

FM Radio broadcast medium to high powered Yagi's  
FM Radio 87.5-108 MHz



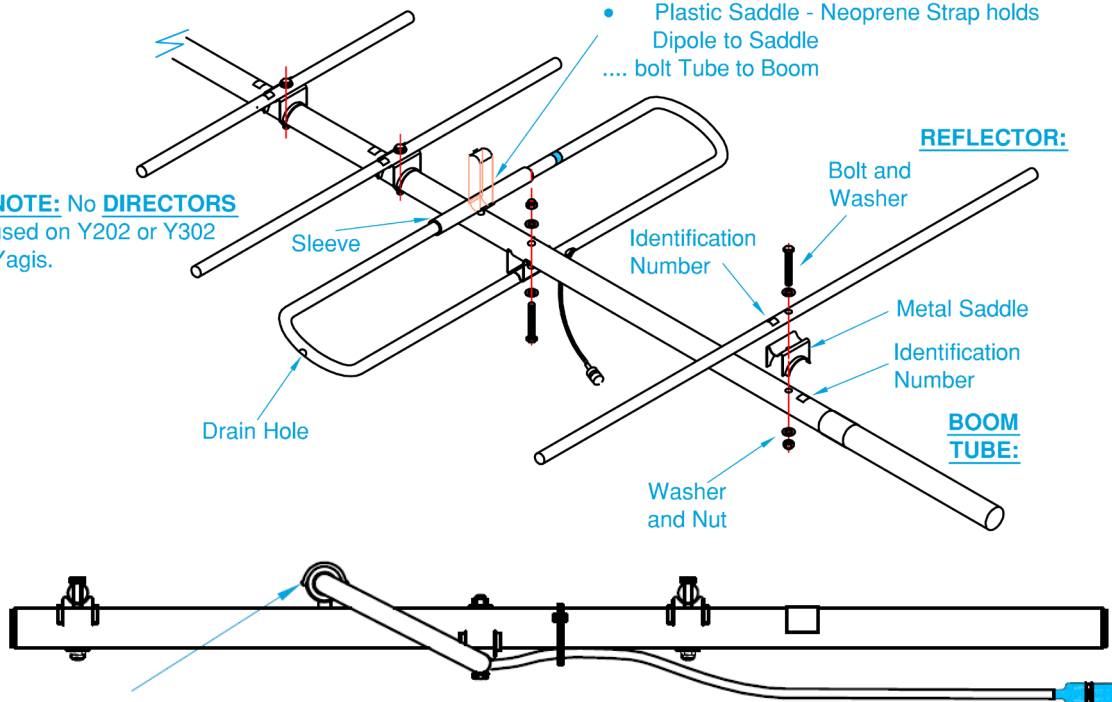
Numbered **DIRECTORS** attached same way as Reflector.

### DIPOLE:

Sit Sleeve into ....

- Support Clip - Dipole clips into position
- OR
- Plastic Saddle - Neoprene Strap holds Dipole to Saddle .... bolt Tube to Boom

**NOTE:** No **DIRECTORS** used on Y202 or Y302 Yagis.



- Support Clip - Dipole clips into position

### Installation Instructions:

1. Place Boom Tube through Dipole in the correct direction.
2. Fit Dipole to Boom Tube using Bolt and Washer through Dipole tube, Saddle, Washer and 'Nyloc' Nut.
3. Fit insulated side of Dipole into Support Clip (or into Plastic Saddle, using Elastic Strap provided).
4. Fit all other Element Tubes to Boom, matching corresponding Numbers on Element and Boom.
5. Strap Cable to Boom using Cable Ties or similar (not provided).
6. Mounting can be **HORIZONTAL** or **VERTICAL** polarisation:

For **VERTICAL** polarisation, make sure the **Drain Hole** is facing **downwards**.

For **HORIZONTAL** polarisation, mount the Yagi antenna with **Cable entry slot downwards**.

