



ZUHP

Radome enclosed horizontal polarised UHF TV panel

UHF Band IV & V 520-694 MHz



The ZUHP is a horizontal polarised broadband panel covering channels 27-51 within UHF TV band IV and V.

With the panel being an enclose item, the radiating internals have minimal exposure to damage or moisture ingress.

Coaxial feeder cable, connectors and other installation accessories are all available separately.

Construction	White fibreglass radome, aluminium back screen and external rear-mounted power divider
Frequency range	UHF TV 520-694 MHz - channel 27-51 within Band IV & V <small>ZCG can manufacture for UHF TV 694-820 MHz only, for south pacific locations, please request when ordering.</small>
Bandwidth	Full frequency range stated - 174 MHz <small>If UHF TV 694-820 MHz, bandwidth will be 126 MHz</small>
VSWR	<1.2:1
Tuning	Factory
Gain - nominal	10.5dBd
Polarisation	Horizontal
Front-to-back ratio	24 dB
Maximum power	250 Watts per bay - for medium power, see ZUHP-MP
Impedance	50 Ohms
H Plane	30°
E Plane	60°
DC grounding	Yes
Power divider input	N-type female at base of power divider or specify requirements
Panel dimensions	Height: 1100mm, Width: 500mm, Depth: 250mm
Weight	11.25kg
Projected area	Front: 0.55m ² Side: 0.275m ²
Wind load at 160kph	Front: 66.622kg, 0.653kN Side: 33.311kg, 0.326kN
Mounting hardware	2 x stainless steel U-bolts, 50-60mm capability - supplied
Warranty	2 Years





ZUHP

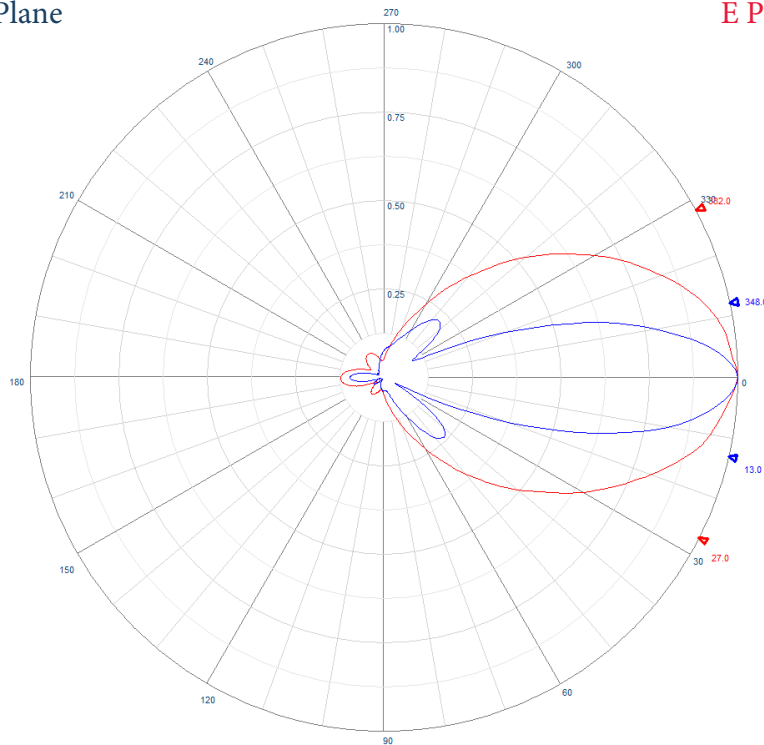
Radome enclosed horizontal polarised UHF TV panel

UHF Band IV & V 520-694 MHz

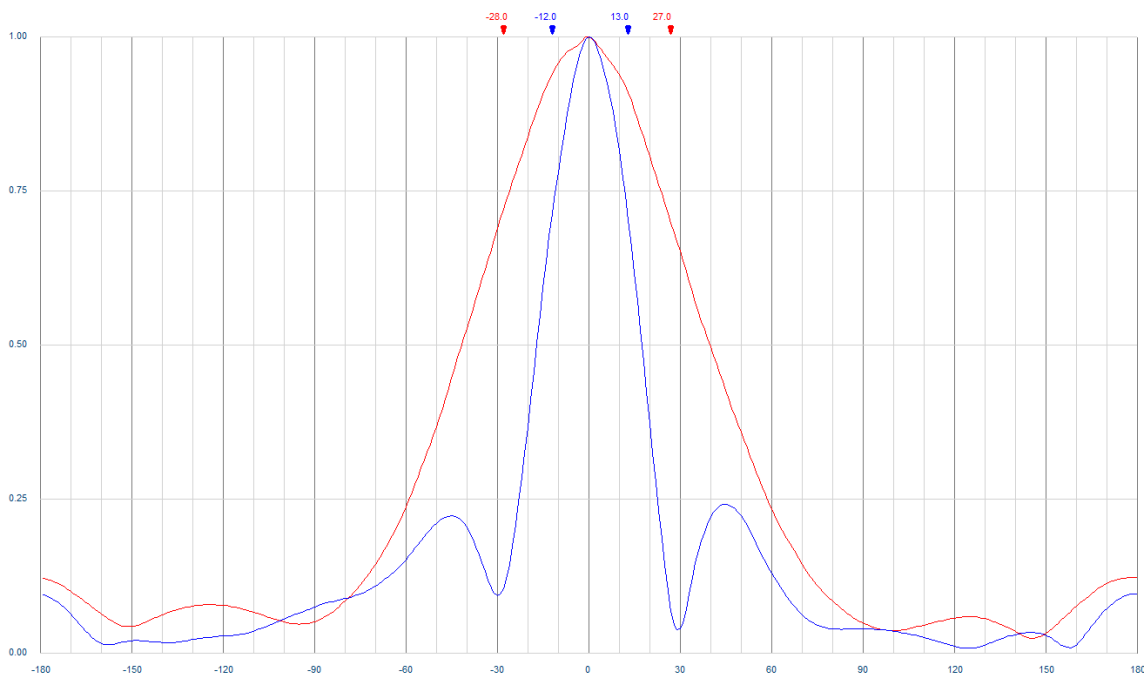


H Plane

E Plane



Example polar radiation pattern



Example cartesian radiation pattern



ZUHP

Radome enclosed horizontal polarised UHF TV panel

UHF Band IV & V 520-694 MHz



Mechanical Data


Height of array	Subject to configuration
Total net weight	Refer to table
Wind Load	Refer to table
Mounting hardware	One clamp per dipole - order separate

Technical Data


Configuration	Off-set	Gain - dBd	Weight - kg	Antenna height L - m	Wind load - kN
1 panel	N/A	10.5	11.5	1.1	0.653
2 panels		13.5	23.0	2.2	1.306
4 panels		16.5	46.0	4.4	2.612
6 panels		18	69.0	6.6	3.918
8 panels		19.5	92.0	8.8	5.224

- Gain: referred to half wave dipole, losses of power through cable or power dividers not included
- Weight: does not include mounting hardware, power dividers or mount poles
- Height calculated at generic spacing, please check handbook for calculated frequency specific spacing.
- Wind load: V = 160km/h

Array requirements



Multi-termination power divider/splitter
Specify centre frequency when ordering.
Multi-input/output connector configuration available.
Includes mounting hardware



Custom cable branch feeders
Length and termination determined by model and power divider spec.
See following page for cable type recommended



ZUHP

Radome enclosed horizontal polarised UHF TV panel

UHF Band IV & V 520-694 MHz



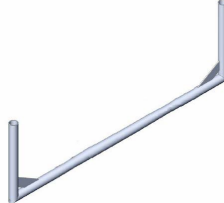
Suitable mounting hardware



MHP-21115

Custom manufactured monopole head platform.

ZCG can custom manufacture any tower antenna support structure



STBU-15

Custom manufactured heavy-duty stand-off bracket support

ZCG can custom manufacture to suit your requirements

Suitable feeder coaxial cable and connectors



RU600 solid copper conductor, low loss coaxial cable
CNT-600 / LMR-600™ equivalent
(* times microwave)

P/N 7890-3

Available in cut length, 500m roll or alternatively request a custom cable assembly



N-type male crimp connector for RU600 coaxial cable

P/N 8226-2

Tri-metal plated



1/2" helical shielded, foam dielectric coaxial cable

P/N ZCG1250SF

Available in per metre, 500m roll or alternatively request a custom cable assembly



N-type male clamp connector for 1/2" super flexible, helically shielded, coaxial cable

P/N NM1250SF

Tri-metal plated



1/2" corrugated shielding, foam dielectric coaxial cable

P/N ZCG1250

(also available in super flexible)

Available in per metre, 500m roll or alternatively request a custom cable assembly



N-type male clamp connector for 1/2" flexible, corrugated shielded, coaxial cable

P/N NM1250

Tri-metal plated



7/8" corrugated shielding, foam dielectric coaxial cable

P/N ZCG7850

also available in Air-dielectric

Available in per metre, 500m roll or alternatively request a custom cable assembly



N-type male clamp connector for 7/8" flexible, corrugated shielded, coaxial cable

P/N NM7850

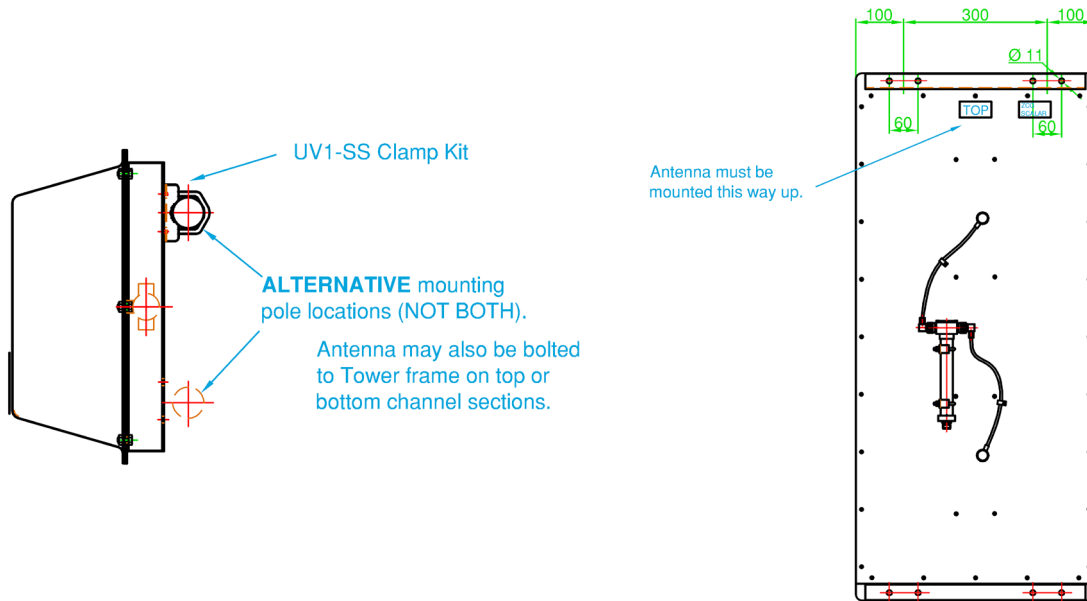
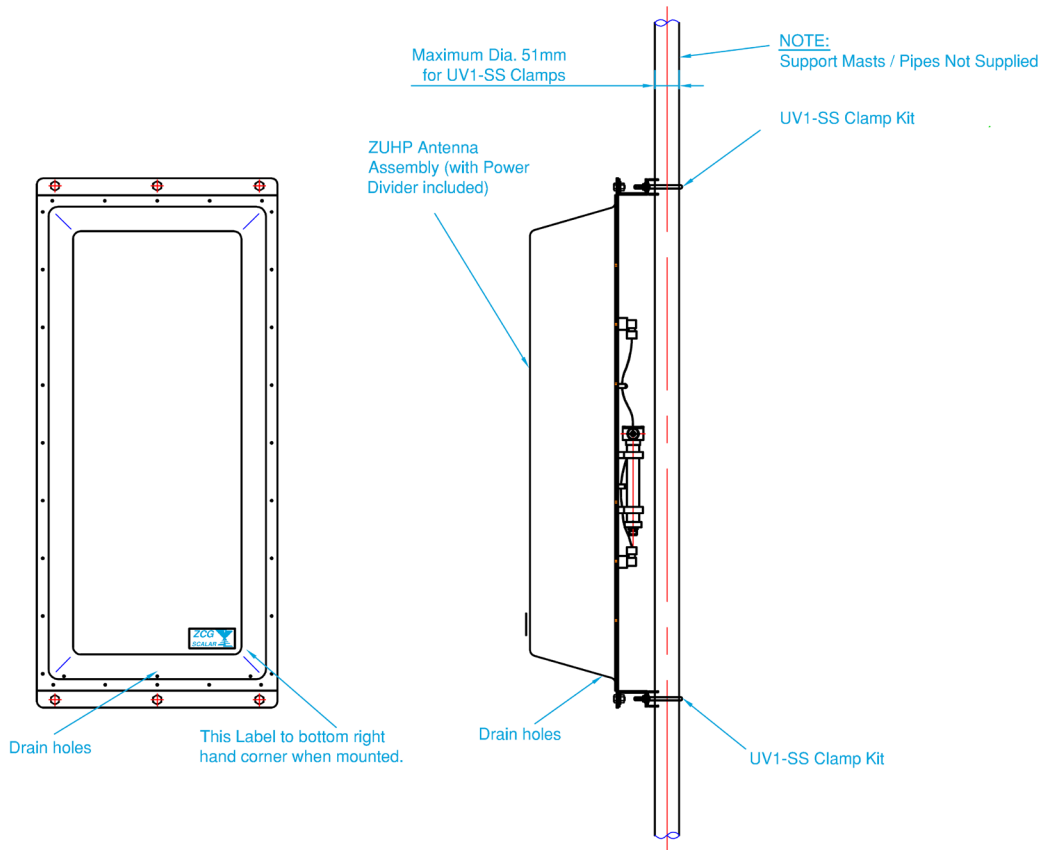
Tri-metal plated



ZUHP

Radome enclosed horizontal polarised UHF TV panel

UHF Band IV & V 520-694 MHz

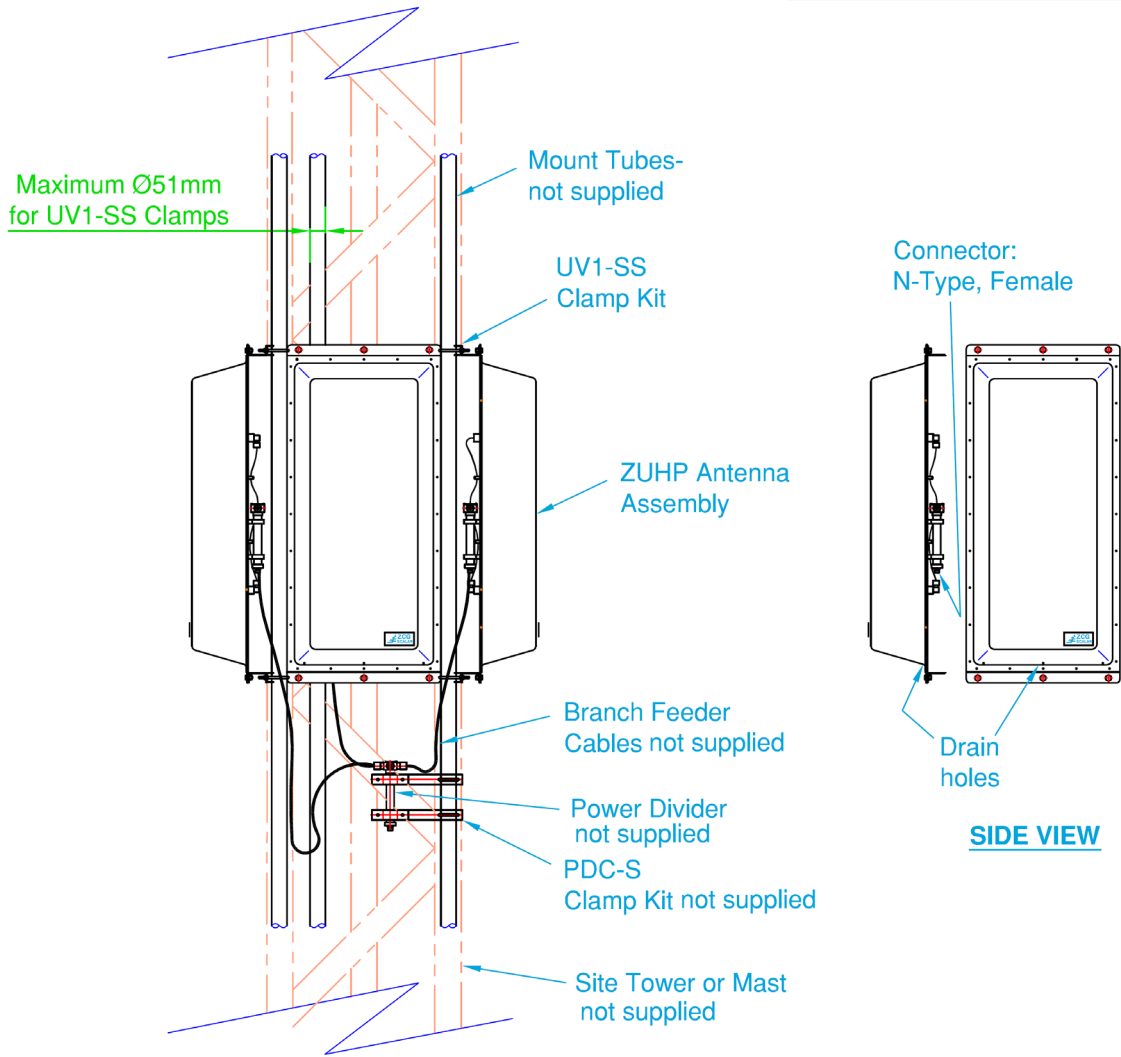




ZUHP

Radome enclosed horizontal polarised UHF TV panel

UHF Band IV & V 520-694 MHz

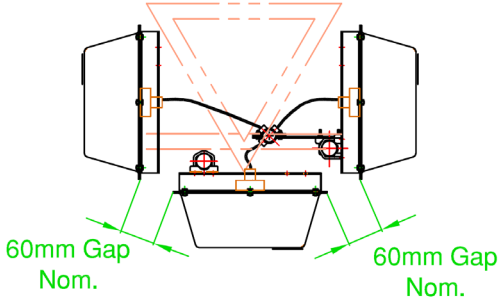


FRONT VIEW

SIDE VIEW

- ZUHP**

 - Horizontal Polarisation
 - N-Type, Female



PLAN VIEW

