



## ZVHP series

### Horizontally polarised VHF TV Band III panel VHF Band 3 / DAB Radio 174-230MHz

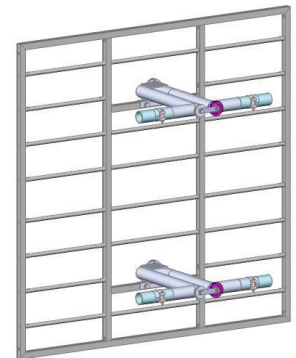


The ZVHP is a single horizontally polarised dual dipole broadband panel covering the entire VHF TV channels 6-12.

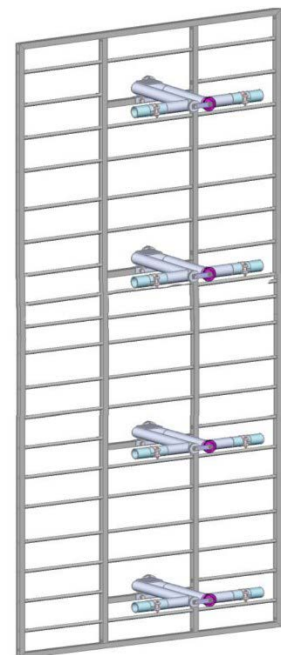
The ZVHP-2 is a dual horizontally polarised dual dipole broadband panel covering the entire VHF TV channels 6-12.

Coaxial feeder cable, connectors and other installation accessories are all available separately.

	ZVHP	ZVHP-2
Construction	Fully-welded galvanised steel screen, 304 stainless steel dipoles and power divider	
Number of dipoles	2 on single screen	4 on two screens - 2 per screen
Frequency range	DAB Radio 174-230 MHz - VHF TV channel 6-12 Band III compatible	
Bandwidth	Full frequency range	
VSWR	<1.2:1	
Tuning	Factory	
Polarisation	Horizontal	
Gain - nominal	8 dBd	11 dBd
Maximum power	2 Kilowatts TV power	2 Kilowatts TV power per panel
Impedance	50 Ohms	
DC grounding	Yes	
Elevation beamwidth	64°	
Power divider input	7/8" EIA at base of power divider - or specify requirements	
Panel dimensions	Height: 1300mm Width: 1300mm Depth: 460mm	Height: 3000mm Width: 1300mm Depth: 460mm
Weight	30.0kg	64.0kg
Projected area	0.401m <sup>2</sup>	0.782m <sup>2</sup>
Wind load at 160kph	48.597kg, 0.476kN	94.727kg, 0.928kN
Mounting hardware	M10 bolt and U-bolt mounting kit - supplied	
Warranty	2 Years	



ZVHP



ZVHP-2

ZVHP-LP low power model on following page.



## ZVHP series

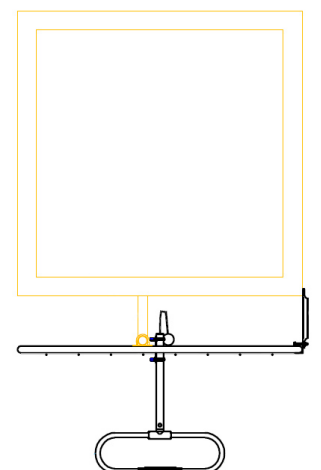
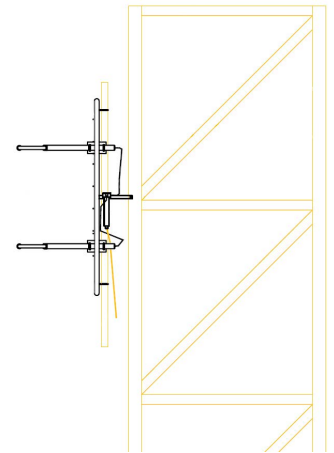
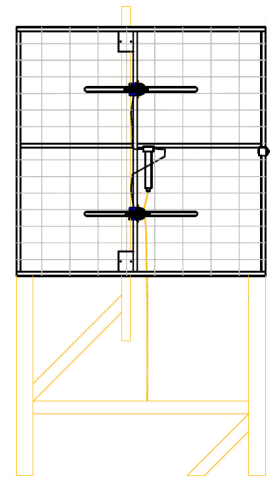
### Horizontally polarised VHF TV Band III panel VHF Band 3 / DAB Radio 174-230MHz



The ZVHP-LP is the low powered version of the standard ZVHP single horizontally polarised dual dipole broadband panel covering the entire VHF TV channels 6-12. The ZVHP-LP consists of 2 VHF sidemount dipoles on a rear screen.

Coaxial feeder cable, connectors and other installation accessories are all available separately.

	ZVHP-LP
Construction	Fully-welded 304 stainless reflector screen, 2 x 304 stainless steel sidemount dipoles and external power divider
Frequency range	DAB Radio 174-230 MHz - VHF TV channel 6-12 Band III compatible
Bandwidth	Full frequency range
VSWR	<1.2:1
Tuning	Factory
Polarisation	Horizontal
Gain - nominal	7.5 dBd
Maximum power	250 Watts TV power
Impedance	50 Ohms
DC grounding	Yes
Elevation beamwidth	60°
Power divider input	N-type female at base of power divider or specify requirements
Panel dimensions	Height: 1500mm Width:1500mm Depth: 640mm
Weight	28.0kg
Projected area	0.293m <sup>2</sup>
Wind load at 160kph	35.490kg, 0.348kN
Mounting hardware	M8 bolt and U-bolts mounting kit - supplied
Warranty	2 Years





## ZVHP series

### Horizontally polarised VHF TV Band III panel VHF Band 3 / DAB Radio 174-230MHz



#### Mechanical Data

Height of array	Subject to configuration
Total net weight	Refer to table
Wind Load	Refer to table
Mounting hardware	4 x mounting plates on screens - order hardware separate

#### Technical Data - ZVHP series

Configuration	Gain - dBd	Weight - kg	Antenna height L - m	Wind load - kN
1 screen	8	30	1.3	0.476
2 screens	11	64	3.0	0.928
4 screens	14	128	6.0	1.856
8 screens	17	256	12.0	3.712

- Gain: referred to half wave dipole, losses of power through cable or power dividers not included

- Weight: does not include external joining power dividers, brach feeder coaxial cables, mount poles or mounting hardware

- Wind load: V = 160km/h

#### Technical Data - ZVHP-LP


Configuration	Gain - dBd	Weight - kg	Antenna height L - m	Wind load - kN
1 screen	7.5	28	1.5	0.348
2 screens	10.5	56	3.0	0.692
4 screens	13.5	112	6.0	1.392
8 screens	16.5	224	12.0	2.784

- Gain: referred to half wave dipole, losses of power through cable or power dividers not included


- Weight: does not include external joining power dividers, brach feeder coaxial cables, mount poles or mounting hardware

- Wind load: V = 160km/h

#### Array requirements



Multi-termination power divider/splitter  
Specify centre frequency when ordering.  
Multi-input/output connector configuration available.  
Includes mounting hardware



Custom cable branch feeders  
Length and termination determined by model and power divider spec.  
See following page for cable type recommended



## ZVHP series


### Horizontally polarised VHF TV Band III panel VHF Band 3 / DAB Radio 174-230MHz



#### Suitable feeder coaxial cable and connectors



1/2" corrugated shielding,  
foam dielectric coaxial cable  
P/N ZCG1250  
  
(also available in super flexible)  
Available in per metre, 500m  
roll or alternatively request a  
custom cable assembly



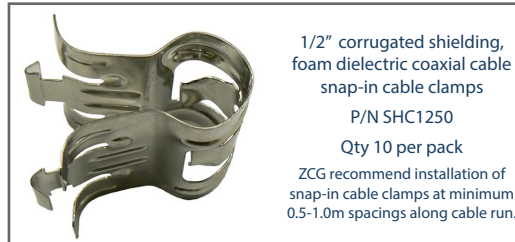
ZVHP-LP - only  
N-type male clamp connector  
for 1/2" flexible, corrugated  
shielded, coaxial cable  
  
P/N NM1250  
  
Tri-metal plated



1/2" corrugated shielding,  
foam dielectric coaxial cable  
grounding kit  
P/N GK1250  
  
ZCG recommend installation of  
grounding kits at minimum top and  
bottom of cable run.



7/8" EIA flanged clamp  
connector for 1/2" flexible,  
corrugated shielded, coaxial  
cable  
  
P/N 78EIA1250  
  
Nickel plated



1/2" corrugated shielding,  
foam dielectric coaxial cable  
snap-in cable clamps  
P/N SHC1250  
  
Qty 10 per pack  
  
ZCG recommend installation of  
snap-in cable clamps at minimum  
0.5-1.0m spacings along cable run.



7/8" corrugated shielding,  
foam dielectric coaxial cable  
P/N ZCG7850  
  
also available in Air-dielectric  
Available in per metre, 500m  
roll or alternatively request a  
custom cable assembly



ZVHP-LP - only  
Low PIM 7/16" DIN male clamp  
connector for 7/8" flexible,  
corrugated shielded, coaxial  
cable  
  
P/N 716DINM7850  
  
Tri-metal plated



7/8" corrugated shielding,  
foam dielectric coaxial cable  
grounding kit  
P/N GK7850  
  
ZCG recommend installation of  
grounding kits at minimum top and  
bottom of cable run.



7/8" EIA flanged clamp  
connector for 7/8" flexible,  
corrugated shielded, coaxial  
cable  
  
P/N 78EIA7850  
  
Nickel plated



7/8" corrugated shielding,  
foam dielectric coaxial cable  
snap-in cable clamps  
P/N SHC7850  
  
Qty 10 per pack  
  
ZCG recommend installation of  
snap-in cable clamps at minimum  
0.5-1.0m spacings along cable run.