

ZAW-9-LTE-3

Low profile radome enclosed antenna - M.I.M.O. LTE L1 GPS/GLONASS and M.I.M.O 4G LTE/4G/3G



The ZAW-9-LTE-3 is designed and manufactured for L1 GPS & GLONASS and multiband 4G LTE, 4G/3G applications all inside one low profile antenna suitable for A.V.L, fleet management, emergency services or any situation that requires a low profile, robust, all-in-one antenna.



Alternate cable configuration, adaptors, connectors, patch leads and other installation accessories are all available separately.

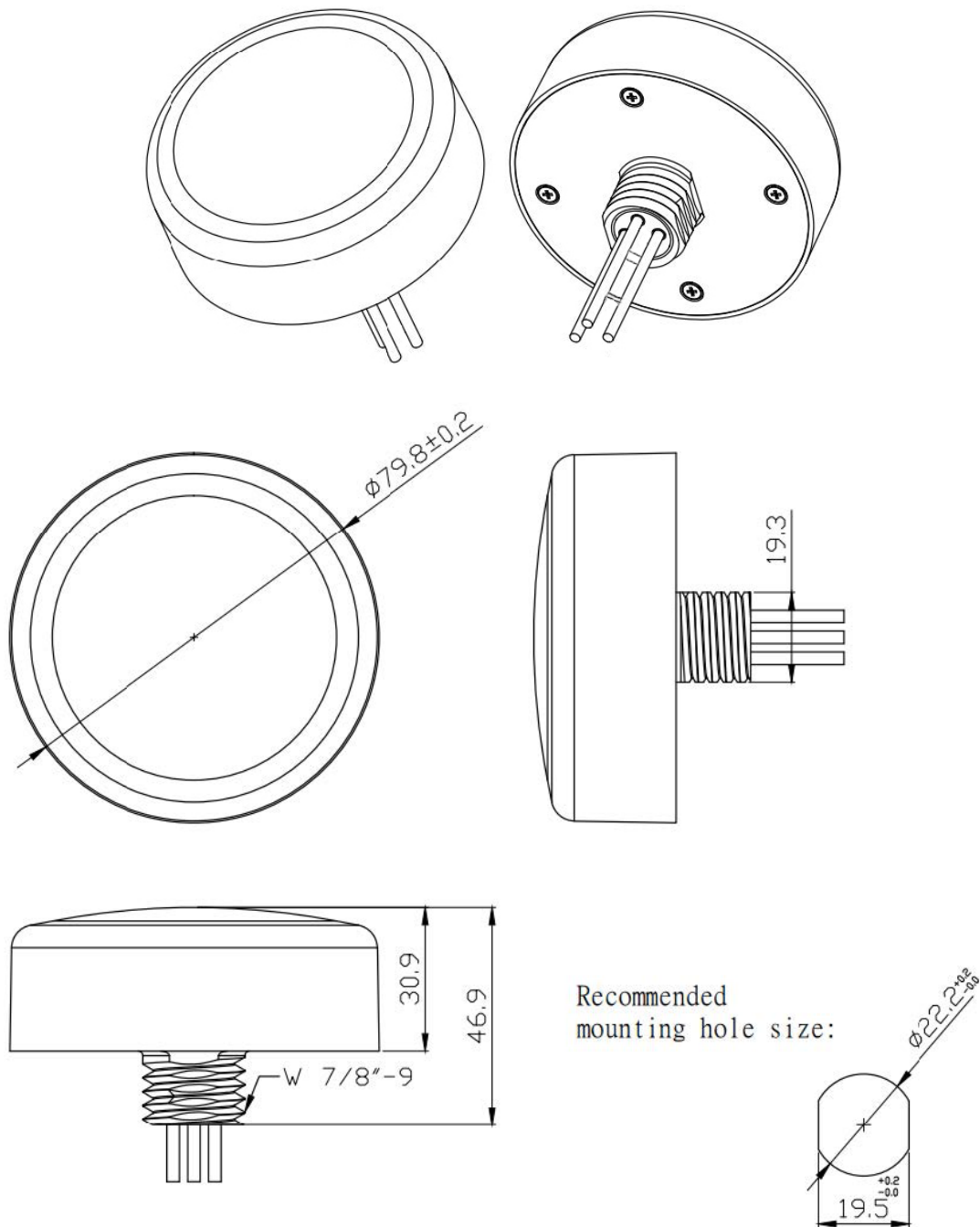


	GPS	Mobile Phone
Construction	Black ASA radome, zinc allow base, rubber gasket, cable assemblies and terminations	
Frequency range	L1 GPS 1575.42MHz L1 GLONASS 1602MHz	All networks 4G LTE, 4G/3G 698-960MHz & 1710-2690MHz
Bandwidth	43MHz at S11<-10dB	Full frequency ranges
Gain - peak	4.5dBi	1.2dB at 704-960MHz 7.31dB at 1710-2690MHz
Polarisation	Right-hand circular	Linear, Vertical
Noise figure	<1.5 maximum	N/A
Attenuation	20dB min at FO ± 50MHz	N/A
VSWR	<1.5:1	<2:1 full frequency ranges
Impedance	50 Ohms	
Power	DC Voltage: 2.7~5.0 Volts DC DC Current: 8~13mA	-
Connector	SMA male connector fitted as standard or specify requirements	
Cables	1 x 4 metres RG174 (GPS) and 2 x 4 metres RG174 (LTE) - M.I.M.O or specify length requirements	
Dimensions	Diameter: 79.8mm, Height: 31mm - excluding threaded base	
Operating temperature	-35°C to +85°C	
Storage temperature	-40°C to +85°C	
Mounting hardware supplied	Mount using the attached rubber gasket, spring washer and nut using a minimum 22.2mm hole - see drawings below	
Mounting position recommended	Mount as high on your vehicle or structure as possible ensuring no obstructions such as vehicle or caravan roof, structures roof or on any flat horizontal surface/bracket - does not require a ground plane	

ZAW-9-LTE-3

Low profile radome enclosed antenna - M.I.M.O. LTE

L1 GPS/GLONASS and M.I.M.O 4G LTE/4G/3G



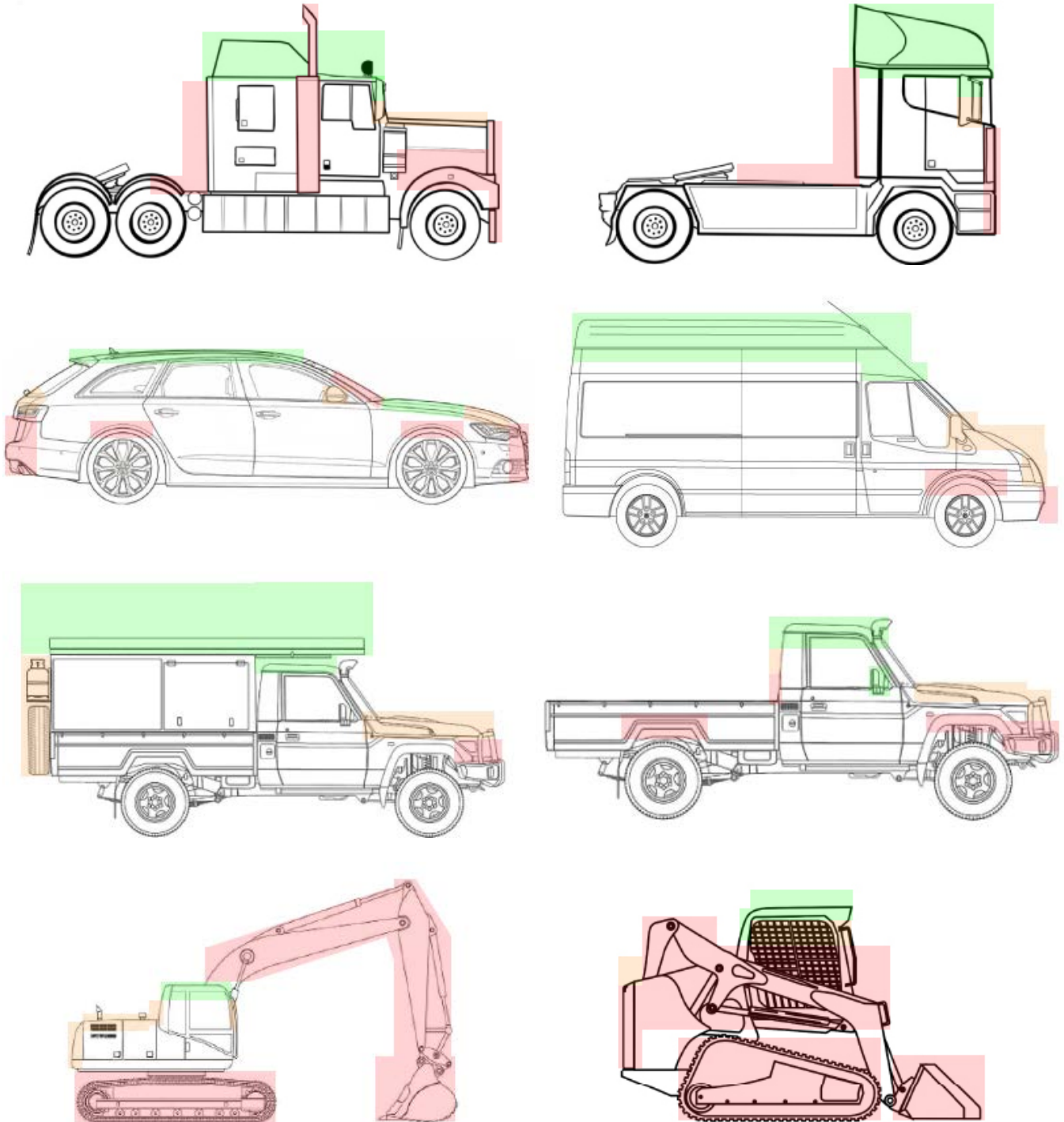
ZAW-9-LTE-3

Low profile radome enclosed antenna - M.I.M.O. LTE

L1 GPS/GLONASS and M.I.M.O 4G LTE/4G/3G



Vehicle Mounting locations



- Best/Recommended location for mounting
- Suitable mounting locations
- Not suitable mounting locations