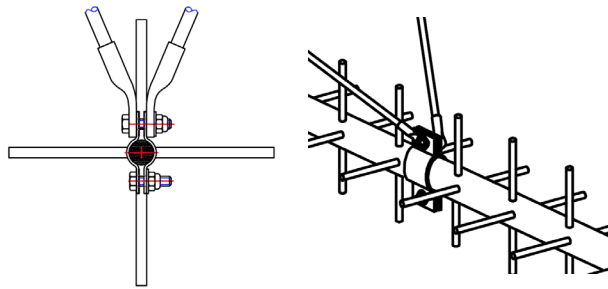


Strut Support mounting clamps

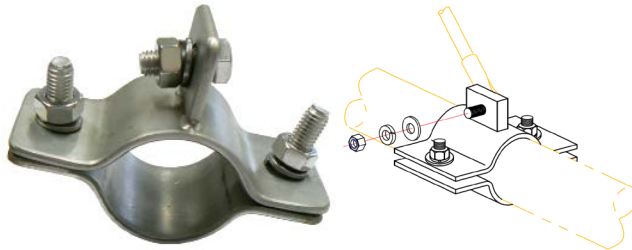
40-70mm round or 25mm RHS

Page 1 of 3

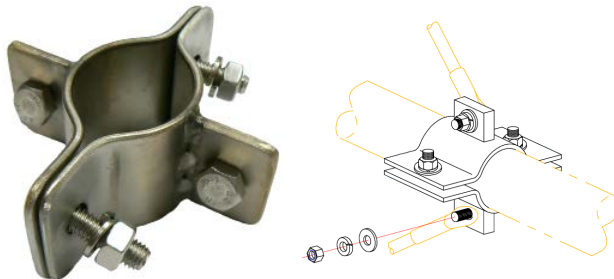

In-stock
Ready to
Ship



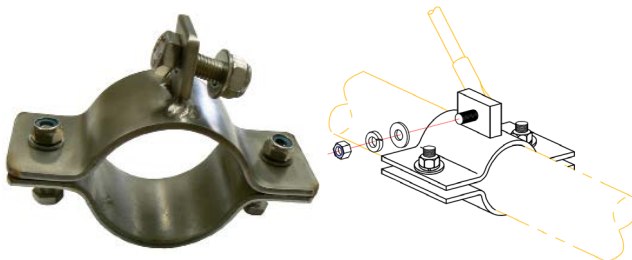
SKU	SB-20
Construction	304 stainless steel
Mounting diameter	20mm - round
Lugs	2
Weight	220grams
Installation tools required	13mm or 1/2" spanners



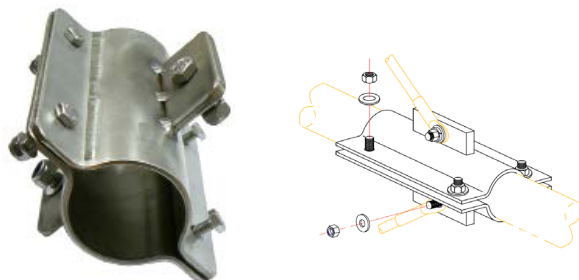
SKU	SB-40-1
Construction	304 stainless steel
Mounting diameter	40mm - round
Lugs	1
Weight	280grams
Installation tools required	13mm or 1/2" spanners



SKU	SB-40-2
Construction	304 stainless steel
Mounting diameter	40mm - round
Lugs	2
Weight	325grams
Installation tools required	13mm or 1/2" spanners



SKU	SB-50-1
Construction	304 stainless steel
Mounting diameter	50mm - round
Lugs	1
Weight	290grams
Installation tools required	13mm or 1/2" spanners



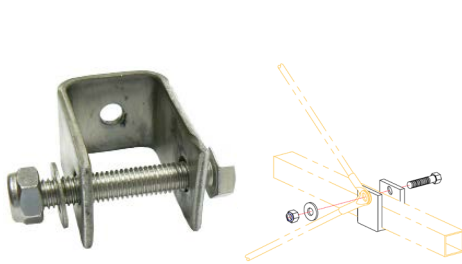
SKU	YB-50
Construction	304 stainless steel
Mounting diameter	50mm - round
Lugs	2
Weight	1kg
Installation tools required	13mm or 1/2" spanners

Strut Support mounting clamps

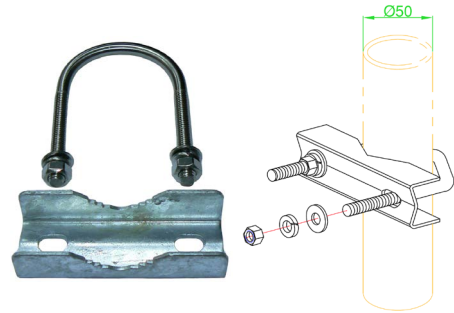
40-70mm Round or 25mm RHS

Page 2 of 3

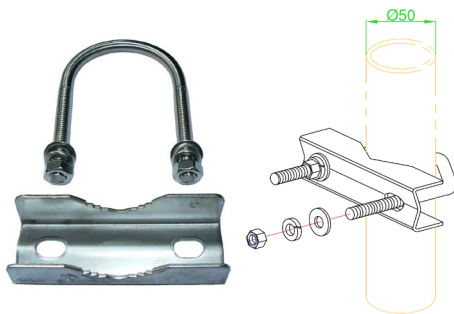

In-stock
Ready to Ship



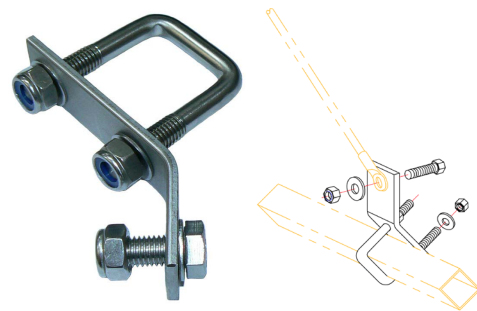
SKU	YB-25
Compatible Yagi's	Vertical or Horizontal polarised
Construction	304 stainless steel
Mounting diameter	25mm - square
Weight	90grams
Installation tools required	13mm or 1/2" spanners



SKU	UV1
Construction	Galvanised V-block and 304 stainless steel U-bolt
Mounting diameter	20-52mm - round
Weight	160grams
Installation tools required	13mm or 1/2" spanners



SKU	UV1-SS
Construction	304 stainless steel
Mounting diameter	20-50mm - round
Weight	170grams
Installation tools required	13mm or 1/2" spanners



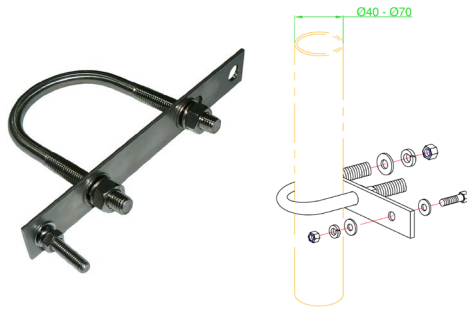
SKU	UV2-SS
Compatible Yagi's	Circular or dual polarised
Offset	45° bent mount plate
Construction	304 stainless steel
Mounting diameter	25mm - square
Weight	108grams
Installation tools required	13mm or 1/2" spanners

Strut Support mounting clamps

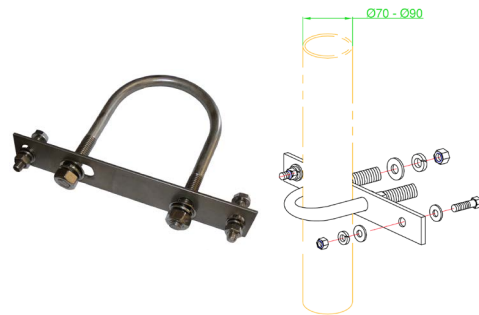
40-70mm Round or 25mm RHS

Page 2 of 3


In-stock
Ready to
Ship



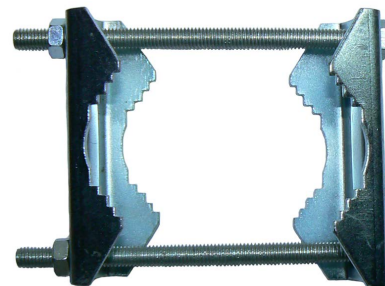
SKU	UV3SS-L
Construction	304 stainless steel
Mounting diameter	40-70mm - round
Weight	220grams
Installation tools required	13mm or 1/2" spanners



SKU	UV3SS-XL
Construction	304 stainless steel
Mounting diameter	70-90mm - round
Weight	300grams
Installation tools required	13mm or 1/2" spanners



SKU	UV4
Construction	Galvanised steel
Mounting diameter	40-60mm - round
Weight	220grams
Installation tools required	13mm or 1/2" spanners



SKU	UV6
Construction	Galvanised steel
Mounting diameter	20-52mm - round
Weight	120grams
Installation tools required	13mm or 1/2" spanners