

## Stand-off brackets

### Custom designed for wall or pole mounting

When mounting antennas to a pole or wall, ZCG can manufacture standoff brackets custom made to a design that suits your precise mounting situation. To clearly specify your requirements, we prefer that you provide us with a design drawing detailing all measurements. Photographs of the installation site will assist in design and manufacture.

Coaxial cable, connectors, bird-proofing and other installation accessories are all available separately.

#### SPB - stand-off pole bracket

Galvanised steel, powdercoated finish available, specify requirements

Provide us with a design drawing. Also any photos of the installation site

Specify the quantity required

Specify whether the pole is parallel or tapered and diameter of the pole

Specify required stand-off distance

Specify antenna mounting arrangement (U-bolts and clamps or steel tube)



SPB-300



SPB-170

#### SPBC - stand-off pole bracket

Galvanised steel, powdercoated finish available, specify requirements

Provide us with a design drawing. Also any photos of the installation site

Specify the quantity required

Specify whether the pole is parallel or tapered and diameter of the pole

Specify required stand-off distance

Specify antenna mounting arrangement (U-bolts and clamps or steel tube)



#### SRB-200-SS316 - stand-off tube bracket

Fully-welded 316 stainless steel bracket and worm drive clamp - 50-200mm

Provide us with a design drawing. Also any photos of the installation site

Specify the quantity required

Specify diameter of the tube

Specify antenna mounting arrangement - tower brace/wall/rack



## Stand-off brackets

### Custom designed for wall or pole mounting

When mounting antennas to a pole or wall, ZCG can manufacture standoff brackets custom made to a design that suits your precise mounting situation. To clearly specify your requirements, we prefer that you provide us with a design drawing detailing all measurements. Photographs of the installation site will assist in design and manufacture.

Coaxial cable, connectors, bird-proofing and other installation accessories are all available separately.

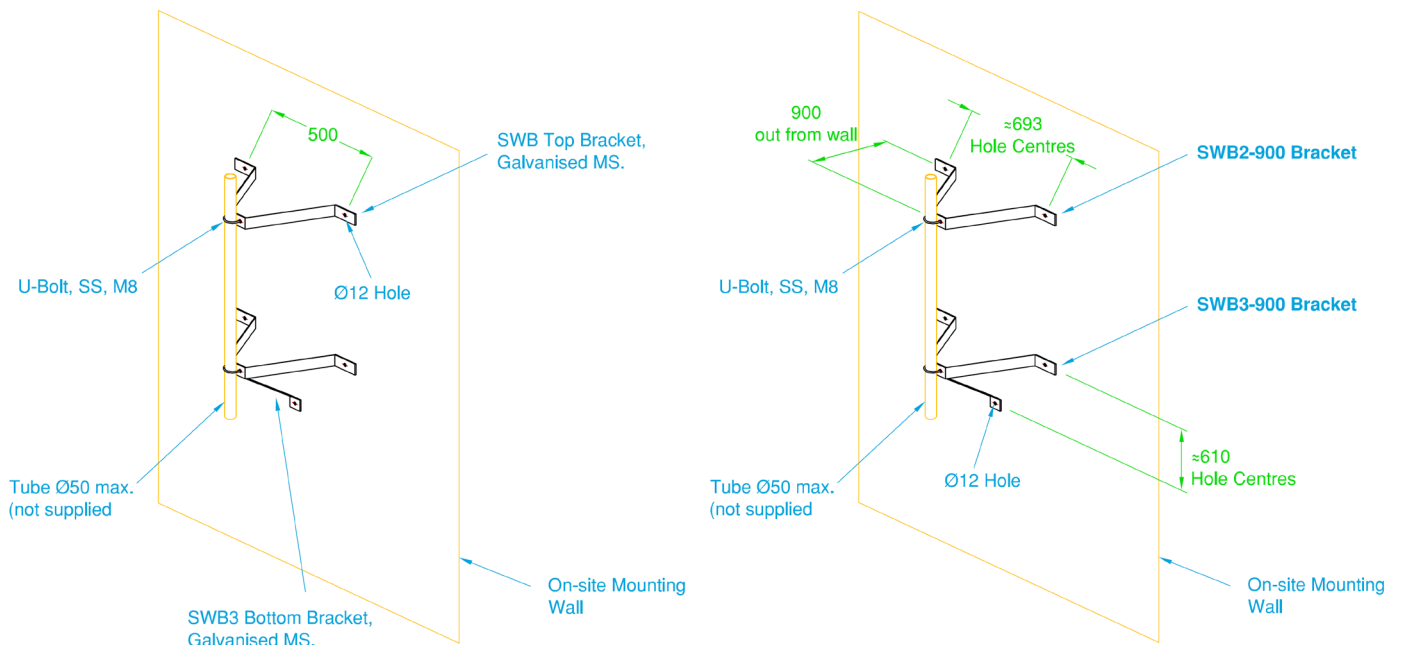
#### SWB - stand-off wall bracket\*

Galvanised steel, powdercoated finish available, specify requirements

Provide us with a design drawing. Also any photos of the installation site

Specify stand-off distance

Specify antenna mounting arrangement (U-bolts and clamps or steel tube)





# Stand-off brackets

Custom designed for wall or pole mounting

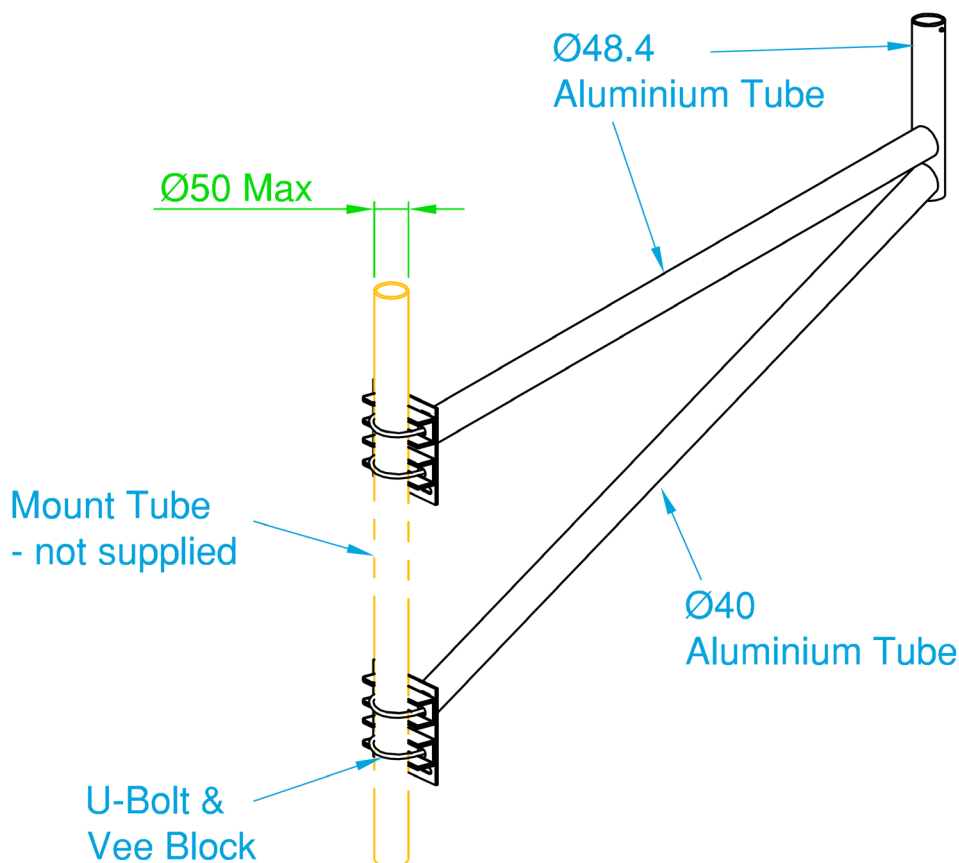


When mounting antennas to a pole or wall, ZCG can manufacture standoff brackets custom made to a design that suits your precise mounting situation. To clearly specify your requirements, we prefer that you provide us with a design drawing detailing all measurements. Photographs of the installation site will assist in design and manufacture.

Coaxial cable, connectors, bird-proofing and other installation accessories are all available separately.

## 2366 - stand-off pole bracket \*

Bolt to a wall, or use the supplied U-bolts to clamp to a round mast
Stand-off distance of 900mm
Rotatable
Available in aluminium, stainless steel or galvanised steel, specify on order
Powdercoated finish available, specify requirements on order





# Stand-off brackets

## Custom designed for wall or pole mounting



When mounting antennas to a pole or wall, ZCG can manufacture standoff brackets custom made to a design that suits your precise mounting situation. To clearly specify your requirements, we prefer that you provide us with a design drawing detailing all measurements. Photographs of the installation site will assist in design and manufacture.

Coaxial cable, connectors, bird-proofing and other installation accessories are all available separately.

<b>CFB - stand-off fascia bracket</b>
Bolt to a wall, fascia or as an extension on an existing pole
Stand-off distance of 200mm
Height ranging from 1.1-2.7metres
Available in 316 stainless steel or galvanised steel, specify on order
Galvanised stay assembly available separately for high wind/load locations

