

4 channel cavity combiner

4-channel cavity combiner, N-type female terminated UHF 330-520 MHz



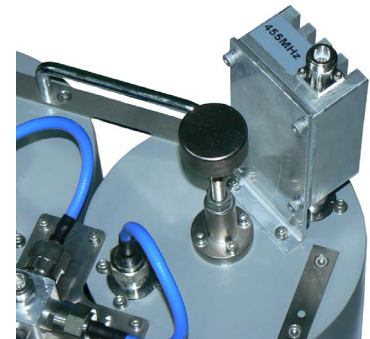
The 4 channel cavity combiners allows for 4 signal inputs to be combined into one output for your transmit antenna.

Suitable for courier/transport companies, mining, security, public transport installations and also in use with military and emergency services.

ZCG also have filters, combiners, duplexers, multicouplers and compatible antennas and coaxial cable available to complete your system.



SKU	Z4CCOM-330-400	Z4CCOM-400-470	Z4CCOM-470-520
Frequency range	330-400 MHz	400-470 MHz	470-520 MHz
Min. channel spacing	≤250 kHz		
Insertion loss	Typical ≤3.0 dB		
Isolation	Typical ≥80 dB		
Continuous power per channel	≥50W, 100W, 150W or 200W models available specify requirements		
VSWR	≤1.25:1		
Impedance	50 Ohms		
Connector	Inputs: 4 x N-type female Output: N-type female		
Operating temp.	-20°C to +60°C		
Dimensions	Width: 330mm, Depth: 330mm, Height: 450mm		
Weight	18.0kg		



N-type female input per cavity



N-type female output in middle of combiner

4 channel cavity combiner

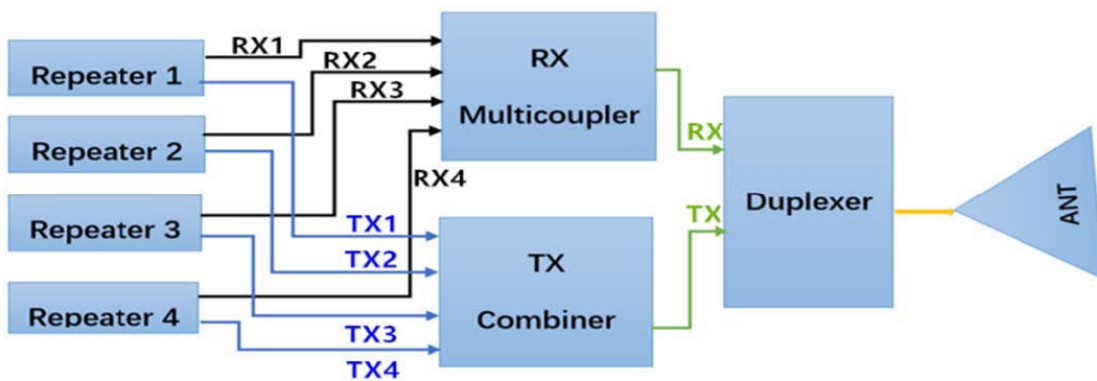
4-channel cavity combiner, N-type female terminated

UHF 330-520 MHz



Single External Antenna Configuration

Combing System



Dual External Antenna Configuration

